



ELECTRIFIED DEVICE

Mortise locks are widely used in both commercial and residential applications. BSI Mortise locks are graded for various applications by ANSI Grade.

ELECTRIFIED MORTISE LOCKSET



GRADE 1



Underwriters Laboratories Inc.®



MT5907-S



**MT5985A-S
MT5985A-M**



Latch bolt retracted by lever from either side unless outside lever is locked by key from outside.

Dead bolt operated by key outside or inside thumbturn.

Key outside can operate latch bolt.

Turning inside lever can retract both dead bolt and latch bolt simultaneously.

Dead bolt thrown or retracted by inside thumbturn. When dead bolt thrown by inside thumbturn, outside lever become inoperative.

Auxiliary latch deadlocks latch bolt when door is closed.

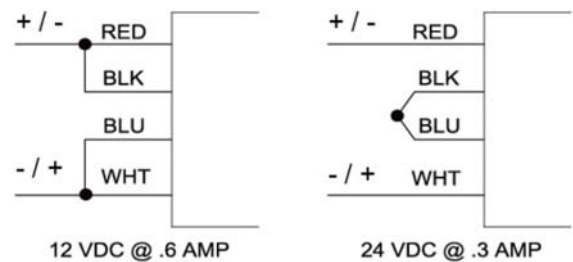
Option outputs MT5985A-S / MT5907-S

- * REX-Request-To-Exit
- * DPS-Door Position Status Output
- * LLS-Latched & Locked Status Output

- * ELECTRIC LOCKSET WITH SOLENOID
- * Field Selectable Voltage 12 or 24VDC
- * Field Selectable Mode Failsafe or Failsecure
- * Field Selectable Hand LH, RH, LHR, RHR

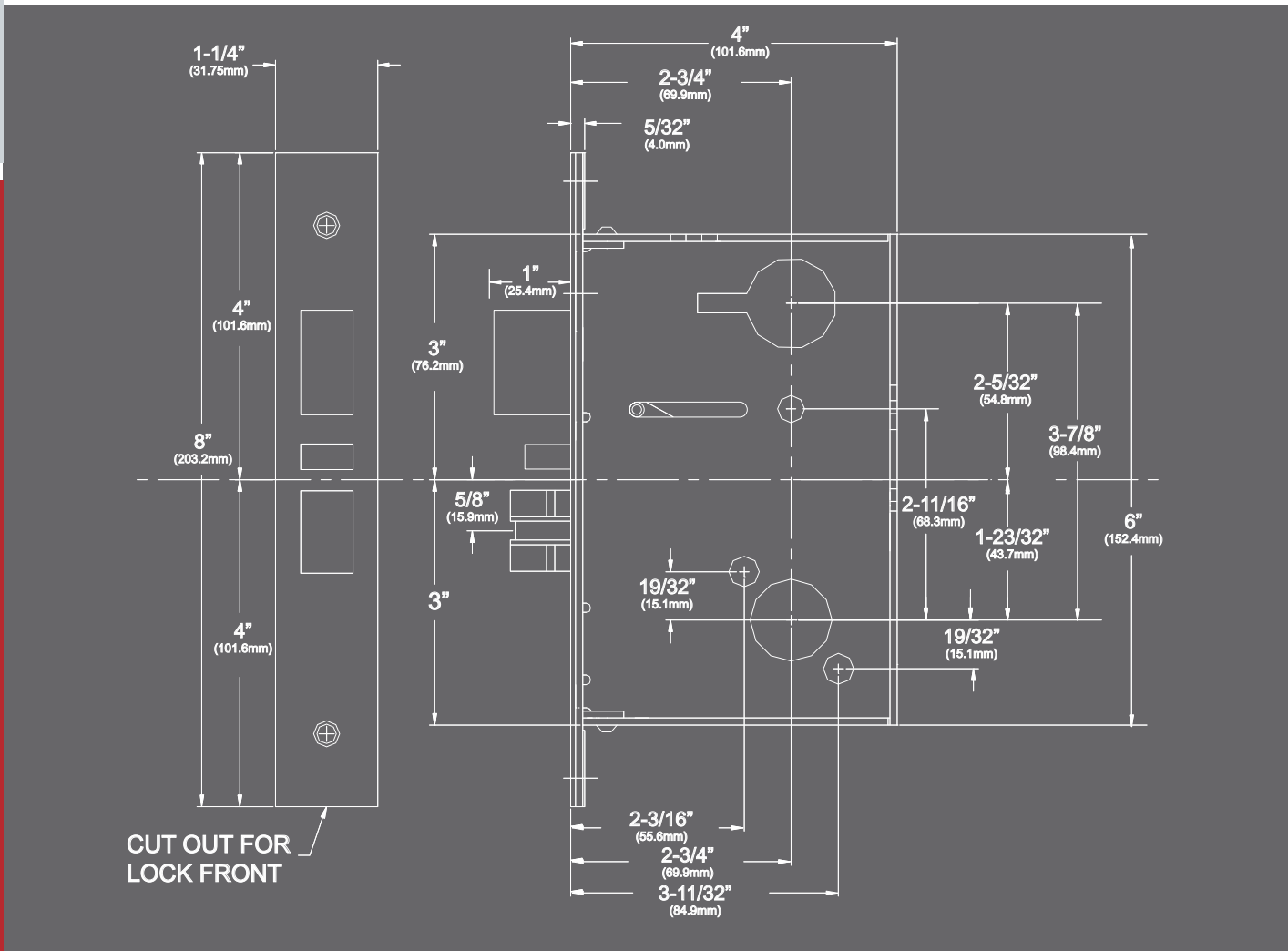
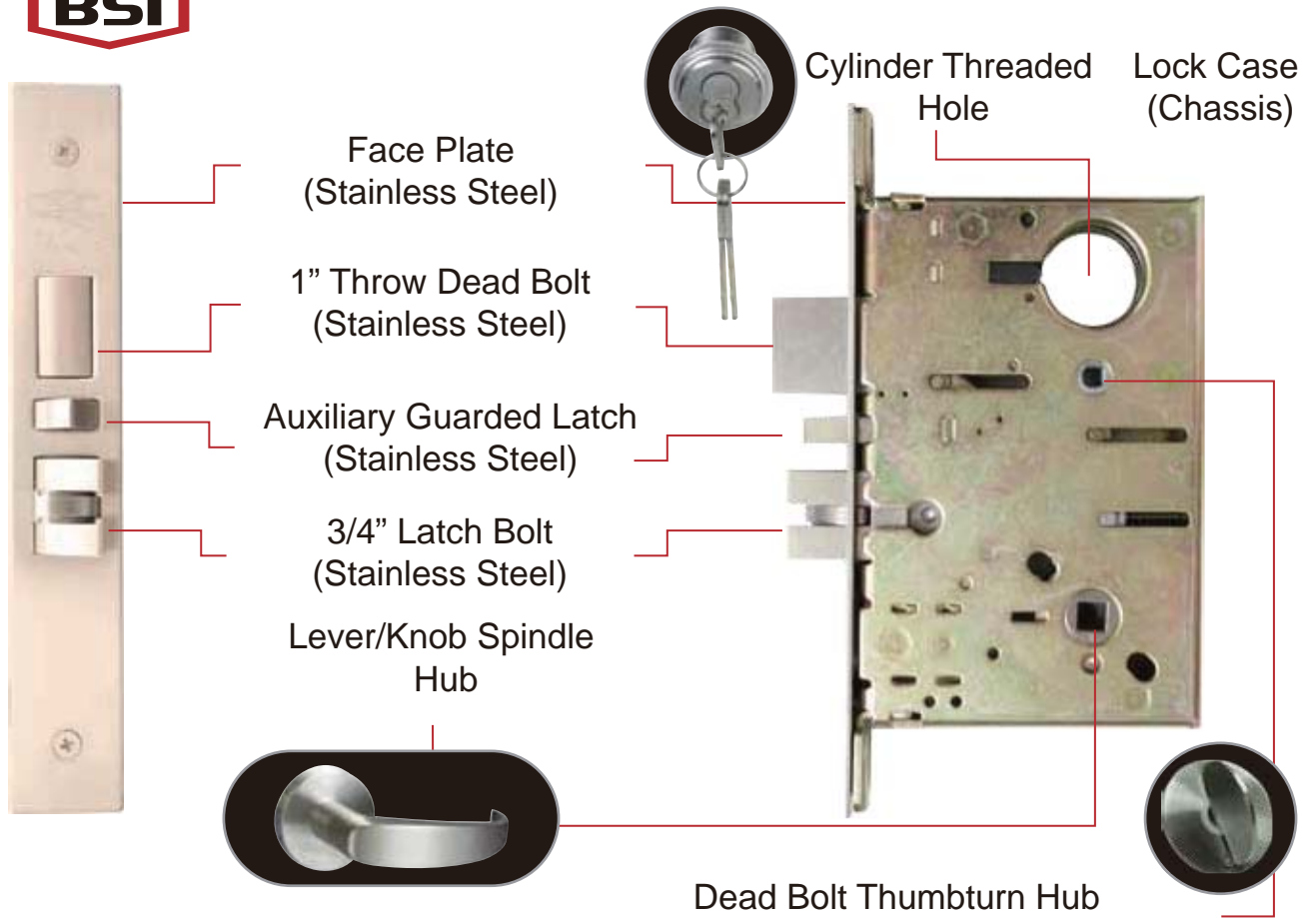
STANDARD WIRING

Dual Coil Solenoid



EMT5985A-M motor spec. sheet.

Voltage		No Load		Rated Load			Starting Torque (g-cm)	Starting Current (mA)
Operating range	Nominal	Speed (r.p.m)	Current (mA)	Speed (r.p.m)	Current (mA)	Torque (g-cm)		
2.5V~5.0V	4.5 Constant	16400	<50	12000	<175	3.0	>10.5	>600









TRIM FINISHES

	US3 (605) Bright Brass		US26 (625) Bright Chromium Plated
	US4 (606) Satin Brass		US26D (626) Satin Chromium Plated
	US10B (613) Rubbed Bronze		US32 (629) Bright Stainless Steel
	US10 (612) Satin Bronze		US32D (630) Satin Stainless Steel

CYLINDERS

C5P	C6P	C7P	ICC6P	ICC7P	TT	
						
Type : Mortise Cylinder Length: 1"(25.9mm) ~3-2/8"(83.1mm)		Type : Interchangeable Core Cylinder Length: 1 2/8"(32.3mm) ~3"(76.8mm)		Type : Thumbturn Cylinder Length: 1"(25.9mm) ~3-2/8"(83.1mm) Direction: LH or RH		

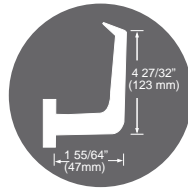
CYLINDER BASES

CB-1-630	CB-2-630	CB-3-630	CB-4-630	CB-5-630	CB-6-630
					
← 7/16" → (11mm)	← 21/32" → (17mm)	← 55/64" → (22mm)	← 17/64" → (7mm)	← 7/16" → (11mm)	← 3/16" → (5mm)

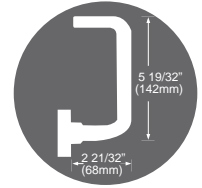


MORTISE TRIMS

LR01 Type : Rose Lever
Finish: US32D



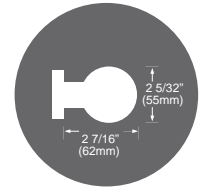
LR02 Type : Rose Lever
Finish: US32D



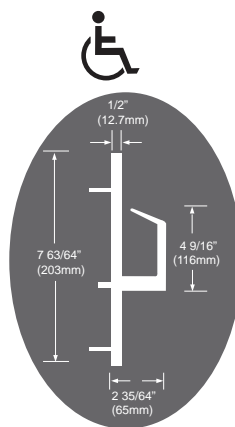
LR17 Type : Rose Lever
Finish: US32D



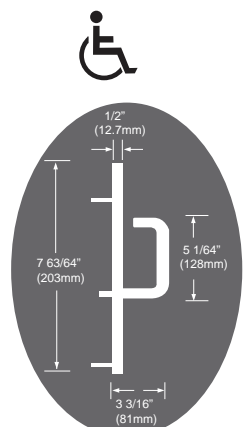
LR31 Type : Rose Lever
Finish: US32D



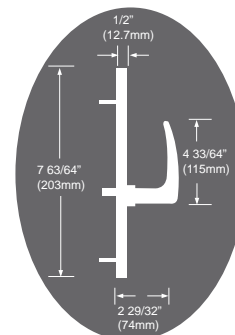
LE01 Type : Escutcheon Lever
Finish: US32D



LE02 Type : Escutcheon Lever
Finish: US32D



LE05 Type : Escutcheon Lever
Finish: US32D



LE31 Type : Escutcheon Lever
Finish: US32D

