

Exit Switch



TLS-500

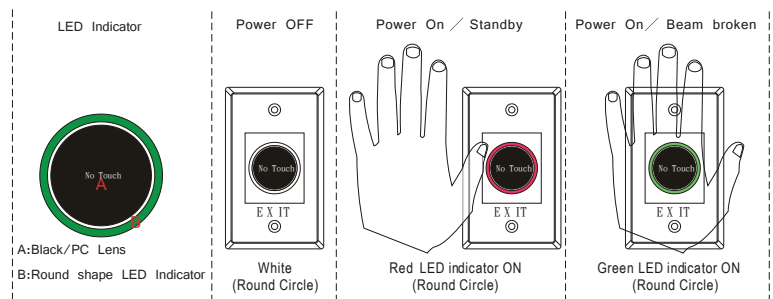


TLS-500SQ

Touchless

Specification

- ☆ No touch / Touch free Exit Sensor (Diffused Detection)
- ☆ Optical / Infrared Technology
- ☆ IP-55 Ingress Protection/ SUS 304 Stainless steel Plate
- ☆ User friendly (Healthy protection): Free from contagious diseases spread
- ☆ Detection range : 0.1~10cm
- ☆ Application : Gate/ Door / Exit / Automation control
- ☆ High capacity of relay dry contact(3A/AC 120V, DC30V)
- ☆ Twin led indicators for sensor standby or approached
 1. Sensor standby: RED LED ON
 2. Visitors whom approached to the sensor in 10 cm GREEN LED ON
- ☆ Contact Rating : 3A/AC120V, DC30V
- ☆ Input Volt : DC 12V/24V
- ☆ Simple and clear for operation
- ☆ Operation temperature range-20°C~55°C
- ☆ Life:100,000 Times
- ☆ Durable stainless steel plate
- ☆ Dimension:
 - 115x70x29mm (TLS-500)
 - 86x86x26mm(TLS-500SQ)
- ☆ Weight:85g



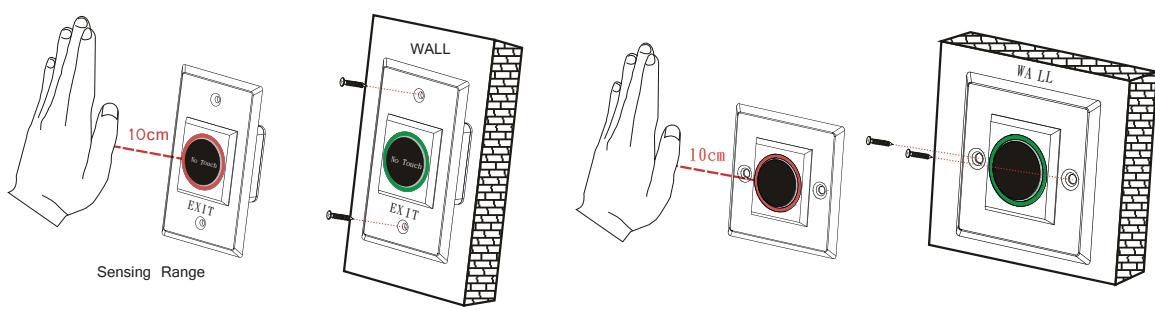
Installation Dimensions

Front View **Side View** **Back View**

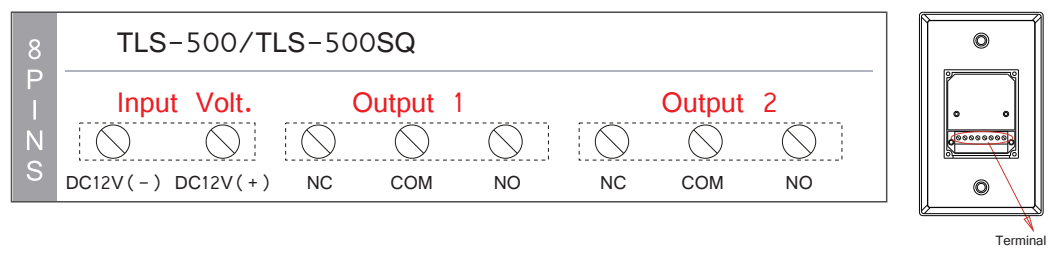
- 1. Lens: Black finish
- 2. Round Shape Led Indicators
- 3. Lens Holder : Silver finish
(Same finish as Metal Plate)
- 4. Metal Plate: Silver finish
(SUS 304 stainless material)
- 5. Terminal Block:
 TLS-500: 8 blocks (2c relay)
- 6. Lids: Bottom casing for diffused sensor
- 7. Rubber ring for wiring connection

Front View **Side View** **Back View**

- 1. Lens: Black finish
- 2. Round Shape Led Indicators
- 3. Lens Holder: Silver finish
(Same finish as Metal Plate)
- 4. Metal Plate: Silver finish
(SUS 304 stainless material)
- 5. Lids: Bottom casing for diffused sensor
- 6. Rubber ring for wiring connection



Wiring instruction



Exit Switch



DPA03

DPA01

DPA07

Push Buttons

Specification

Model	DPA01	DPA03	DPAN01	DPAW01	DPA02	DPA05	DPA06	DPA07	DPA08
Dimensions (LxWxD)mm	120x42x5.4	120x76.2x5.4	115x44x30.5	120x76x56	100x35x30	86.8x86.8x30	120x76x28	120x40x6	120x76x6
Switch Data	24VDC/6A 250VAC/5A		10A/250VAC		12VDC/5A 24VDC/4A				
Switch information	1,2 (Normally Closed) 3,4(Normally Open)				1(COM.) 2(Normally Closed) 3(Normally Open)				
Material	Stainless Steel Plate				Stainless Steel Plate			Aluminum Plate	
Light	14VDC(a,b)								



DPAN01



DPAW01



DPA02



DPA06



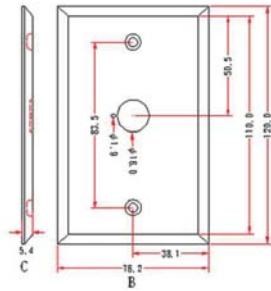
DPA08



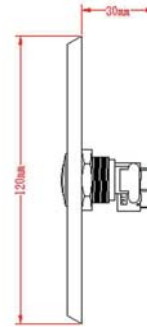
DPA05

Installation Dimensions

STAINLESS STEEL EXIT PUSH-PLATE



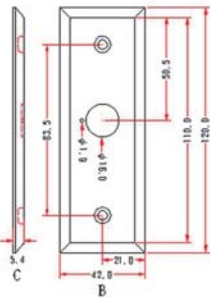
Length(A):120.0mm
Width(B):76.2mm
Depth:(C):5.4mm
Thick:1.0mm



DPA03

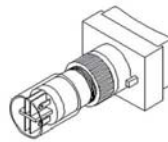
DPA07,DPA08

STAINLESS STEEL EXIT PUSH-PLATE



Length(A):120.0mm
Width(B):42.0mm
Depth:(C):5.4mm
Thick:1.0mm

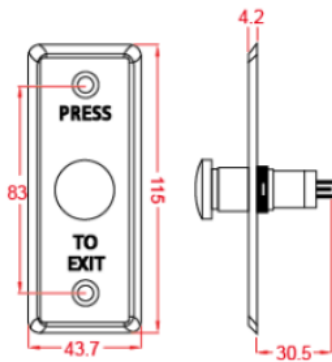
PUSH-BUTTON WIRING DIAGRAM



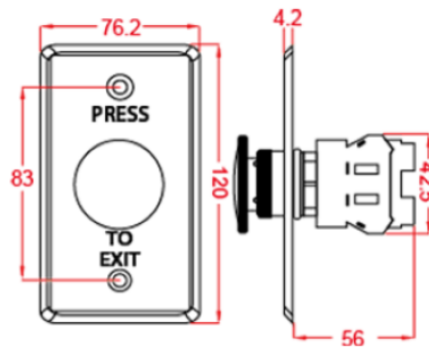
Bottom view

- (1) Push-button dry contacts ratings:
250V AC/5A 24V DC/6A
Do not exceed the above ratings for safe operations.
 - (2) For Normally Open requirement, connect wires to 3 & 4 contacts of Push-button.
 - (3) For Normally Closed requirement, connect wires to 1 & 2 contacts of Push-button.
- | | | | | |
|---|---|---|---|--------|
| 1 | 2 | a | b | → Lamp |
| 3 | 4 | 1 | 2 | → NC |
| | | 3 | 4 | → NO |
- a—(L)—b(+)
Lamp : DC12V

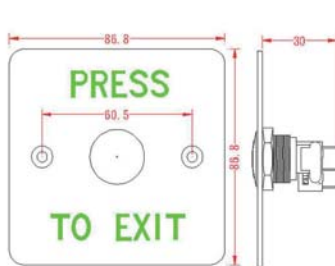
DPA01



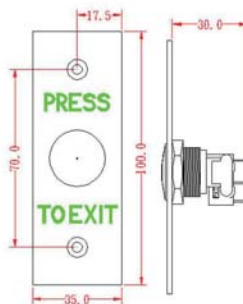
DPAN01



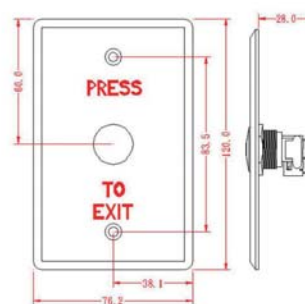
DPAW01



DPA05



DPA02



DPA06



DPA09

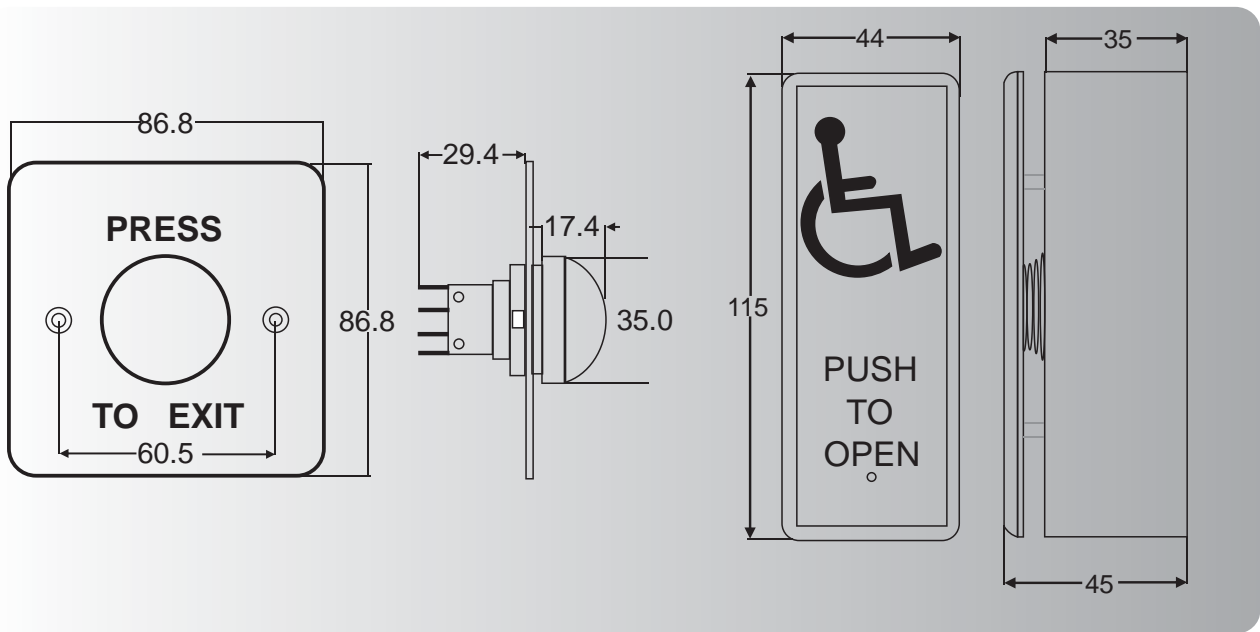


DPA10

Specification

DPA09:86.8Lx86.8Wx2Dmm
DPA10:115Lx44Wx45Dmm
Mushroom push button with wide face plate(DPA09)
Press to open button plate(DPA10)
Face Plate:Stainless steel brushed finish
Current Draw:5A/125VAC, 3A/250VAC

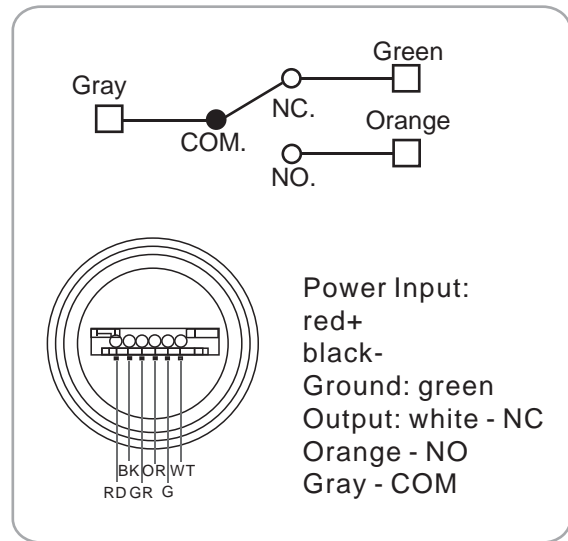
Installation Dimensions





DPAN01-TS DPA06-TS

Wiring instruction



Specification

DPAN01-TS: 115Lx43.7Wx33.5Dmm

DAP06-TS: 120Lx76.2Wx33.5Dmm

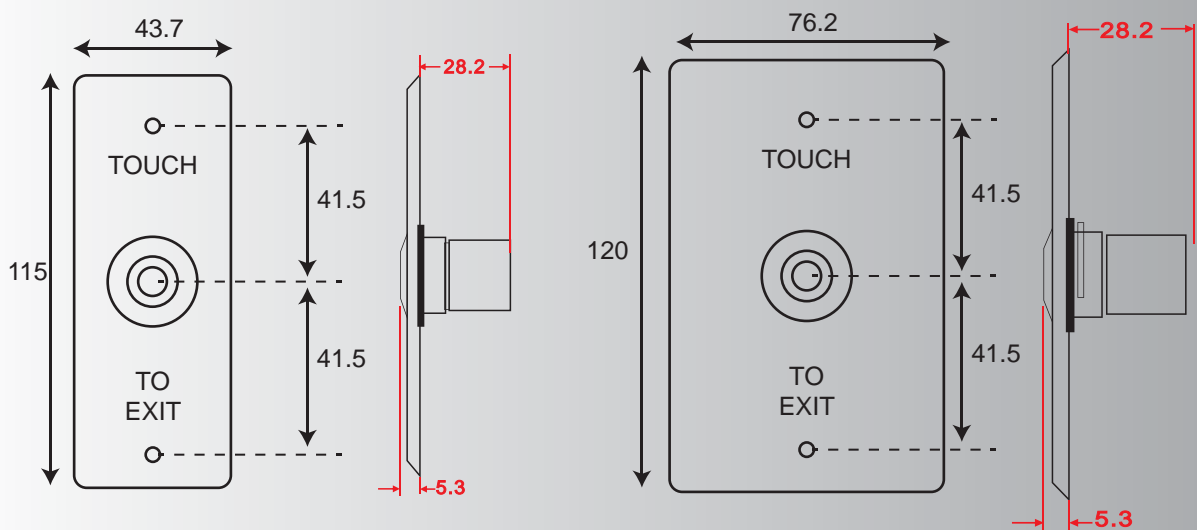
No need to dismount the switch when programming

Illuminated switch to indicate lock/unlock states (default - red: lock; green: unlocked)

Adjustable unlocking duration time (1~60 sec.)

Relay output / Low power consumption / Voltage: 12 ~ 24 VDC

Installation Dimensions





DPA12

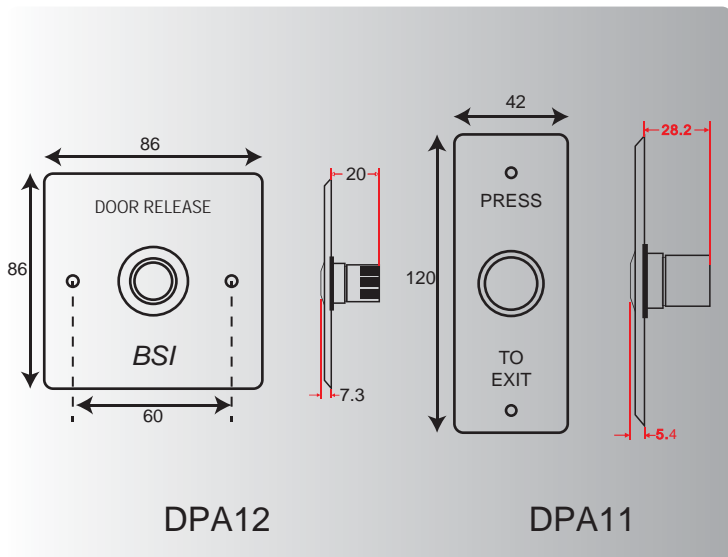


DPA11

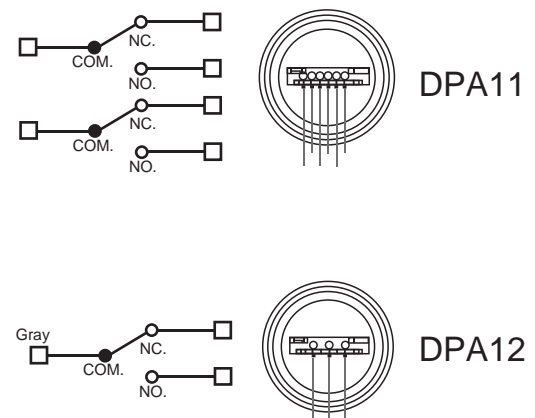
Specification

Model	DPA12	DPA11
Switch Life	500,000 times Operation	
Switch Data	500mA / DC24V	
Panel Material	Stainless Steel Plate	Aluminum Plate
Panel Size	86H × 86W × 6D (mm)	120H x 42W x 5.4D(mm)
Standard specifications	European specifications	

Installation Dimensions



Wiring instruction



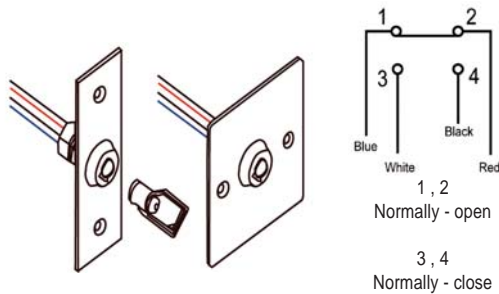
KEY SWITCH

Install key switch in the outside(as the figure) and parallel(or series) connect with the power supply and electromagnetic lock.

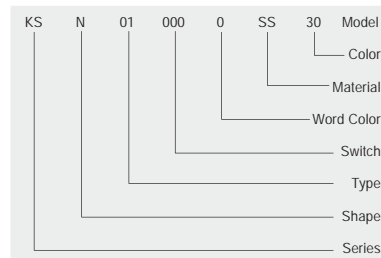


Model	KSN01	KSS01	KSW01	KSW02
Current draw	2A/250VAC	5A/125VAC	4A/1250VAC	5A/125VAC
Available	KA&KD			KA&KD&MK
Material	Stainless steel faceplate			
Dimensions	120x42x21.5mm T:1mm	86.8x86.8x23mm T:2mm	120x76x26.5mm T:1mm	120x76x50.7mm T:1.4mm

Wiring diagram

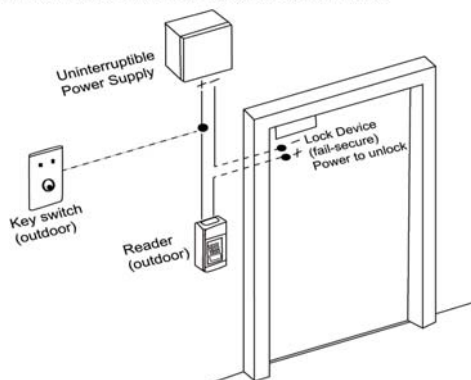


Model Explain



Application

The connection for fail -secure lock devices



The connection for fail -safe lock devices

