



Access Control

Magnetic Lock

Electric Bolt

Electric Strike



PAS-9930PE/PM

Standalone Access Controller



Sensitive Touch Keypad



Features

- Support network or standalone operation.
- Memory capacity 1,024 cardholders / 800 events.
- Watchdog function secures system free from halting.
- Able to connect external slave reader type T1/T2.
- Conditional Unlock Door function, able open 1~9,999 seconds per time.
- Provide RS-485 communication, able expandable to 64 sets by RS-485 interface.
- Reader tamper proof detection and door tamper alarm. Programmable door sensor detection time from 1~600 seconds and able set relay or reader beep of alarm type.
- Slim, stylish design, sensitive touch keypad with blue backlight suit for various locations.
- Duress card / code setting. When door opened in the emergency, controller will send signal to control center at the same time for tracing and rescue.
- Unique ID or Block reading format supported and programmable key value. (PAS-9930PM)
- Support swipe card and card with pin codes enter modes and door relay time from 1~600 seconds.

Ordering Information

Package Content:

- PAS-9930 x 1
- Plate x 1
- Quick Start Guide x 1
- Accessory Pack x 1

Supported Software:

- BSIS Management System

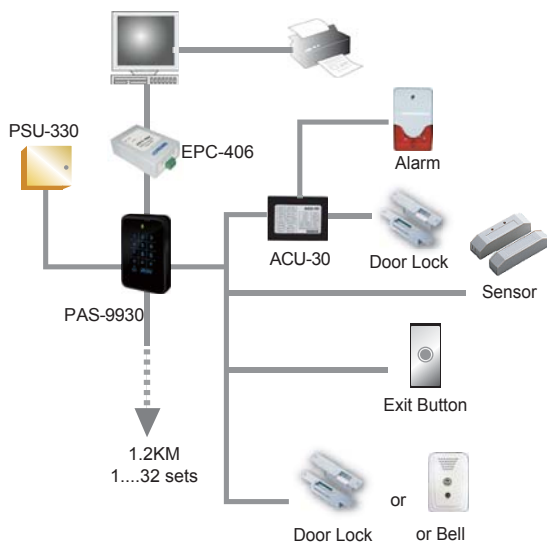
Optional Accessories:

- EPC-406 USB to RS-422/485 Converter
- AC-DC Adapter
- PSU-330 Uninterrupted Power Supply
- ACU-30 slave controller

Specifications

Processor	8 Bit
Memory	32K
Input Ports	3 Sensors (Door Sensor x 1, Exit Button x 1, Case Sensor x 1)
Output Ports	Relay x 1 (Door Lock or Bell) , O.C. Output x 2 (Door Lock / Alarm , external ACU-30)
Cardholders / Events	1,024 / 800
LED Indicator	Power
LCD Display	NONE
Keypad	13 Key (0-9, *, #, Bell) (Sensitive Touch Keypad)
Real Time Clock	Yes
Beep Tone	Buzzer
ID Setting	DIP switch setting
Read Format & Range	125 KHz (EM Compatible) (PAS-930 PE) 13.56 MHz (MIFARE® Compatible) PAS-930PM) EM : 8~10 cm(PAS-930PE) (max.), MIFARE®: 3~5 cmM (PAS-930PM) (max.)
Power Input	DC 12V / 1A
Current Consumption	250mA (max.)
Comm. Interface	RS-485
Comm. Baudrate	19,200 bps-N-8-1
Operating Temp.	-10°C ~ 55°C / 14°F ~ 131°F
Relative Humidity	20% ~ 80% (Non-condensing)
Dimension	120mm(L) x 77mm(W) x 22mm(H)
Weight (Device)	140g

System Architecture



PAS-9970PE/PM

Standalone Access Controller



Sensitive Touch Keypad



Features

- Memory buffer 90% full warning.
- Bell key design. Suit for various location.
- Support network or standalone operation.
- Casing tamper proof detection and door tamper alarm.
- Support swipe card and swipe card with pin codes enter modes.
- The memory of the standard model is 18,000 cardholders and 18,000 events.
- Another model with 170,000 events storage is available for optional purchase.
- Unique ID or Block read format supported. (PAS-970PM)
- Slim, stylish design with waterproof sensitive touch keypad with blue backlight.
- Built-in RS-485 & TCP / IP communication interface to PC. (Able to expand to 255 sets by RS-485 interface)
- Blacklist and Duress card/code setting. When door opened in the emergency, the controller will send signal to control center at the same time for tracing and rescue.
- Programmable disarm code and able set maximum attempts to trigger re-swipe card alarm. The controller time-out function will avoid intrusion in and has self security.
- Provide 50 sets guest card with configurable check digits, duration, usage time & frequency.
- Provide 32 working shifts and 32 siren output. LCD will display current shift and activate alarm. Provide 100 holiday schedules per year.
- Able to connect external slave reader, And support anti-passback to every single door.
- Provide 128 time zones and time schedules, 8 time conditional unlock door schedules. (per week)
- Display name on the LCD screen after swiped card. Function keys of access control and shifts which are convenient to personnel to generate time attendance reports.
- On-board lithium battery ensures data storage can reach up to 1 year upon power outage.

Ordering Information

Package Content:

- PAS-9970 x 1
- Plate x 1
- Quick Start Guide x 1
- Accessory Pack x 1

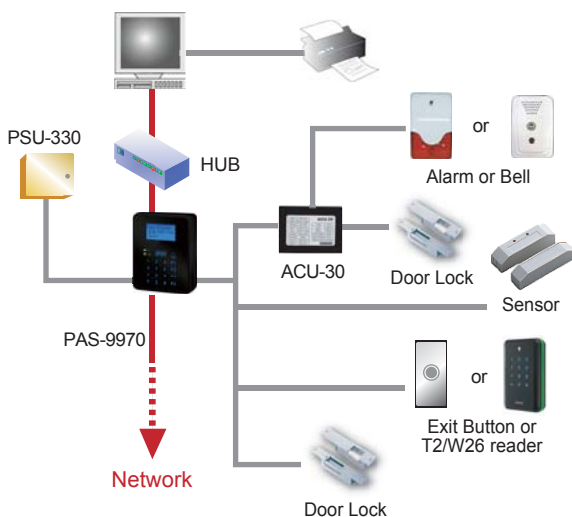
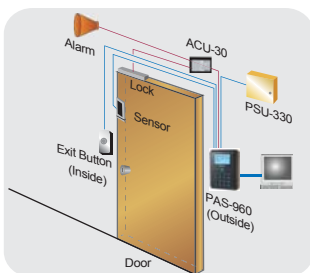
Supported Software:

- BSIS-19/20/22/24 Management System

Optional Accessories:

- AC-DC Adapter
- PSU-330 Uninterrupted Power Supply
- T2/W26 Proximity Reader
- ACU-30 slave controller

System Architecture



Specifications

Processor	32 Bit
Memory	1M
Input Ports	3 Sensors (Door Sensor x 1, Exit Button x 1, Case Sensor x 1)
Output Ports	Relay x 1 (Door Lock), O.C. Output x 2 (Door Lock / Alarm / Bell, external ACU-30)
Cardholders / Events	18,000 / 18,000
LED Indicator	Power / Comm.
LCD Display	128 x 64 Dot. Graphic Display with backlight
Keypad	17 Key (F1-F4, 0-9, *, #, Bell) (Sensitive Touch Keypad)
Real Time Clock	Yes
Beep Tone	Buzzer
ID Setting	Command setting by keypad
Read Format & Range	Built-in EM / MIFARE® / MIFARE® DESFire module in the controller, able to connect with T1 / T2 / W26 type slave reader EM(125KHz) : 8~10cm(PAS-970PE)(max.) · MIFARE® / MIFARE® DESFire(13.56MHz) : 3~5cm(PAS-970PM)(max.)
Power Input	DC 12V / 1A
Current Consumption	500mA. (max. excluding slave reader)
Comm. Interface	RS-485 / TCP/IP
Comm. Baudrate	RS-485 : 9,600/19,200 bps-N-8-1 · TCP/IP : 10/100 Mbps
Operating Temp.	0°C~ 55°C / 32°F~ 131°F
Relative Humidity	20% ~ 80% (Non-condensing)
Dimension	130mm(L) x 100mm(W) x 27mm(H)
Weight (Device)	340g

* Product design and specifications are subject to change without prior notice.

Standalone Fingerprint Access Controller

Sensitive Touch Keypad



Features

- Support network or standalone operation.
- Bell key function design. Suit for various location.
- Casing tamper proof detection and door tamper alarm.
- Slim, stylish design, sensitive touch keypad with blue backlight.
- Dual card / fingerprint contrast function, improve system security.
- High security, using encryption with random code to saving finger characteristic.
- Large LCD display time, date, weekday and company name. And show cardholder Chinese / English name, card number and after card swiped.
- The standard model can access 950 users with 2 fingerprint templates per each user (total 1,900 fingerprint templates). The storage event record is up to 18,000 events.
- The advanced model can access 4,750 users with 2 fingerprint templates per each user (total 9,500 fingerprint templates). Another model with 170,000 events storage is available for optional purchase.
- Quick and accurate fingerprint verification, supports 1:1 authentication & 1:N identification. And audible voice prompts guiding users during verification process.
- Provide 32 working shifts and 32 siren schedules. Able display current shift or active alarm. Provide 100 holiday schedules per year.
- Provide blacklist and 50 sets visitor card with configurable check digits, duration, usage time & frequency.
- Provide 128 time zones and time schedules, 8 time conditional unlock door schedules (per week).
- Duress card/code setting. When door opened in the emergency, controller will send signal to control center at the same time for tracing and rescue.
- Programmable disarm code and max. re-swipe card alarms function. The system wills timeout at max swipe card failure.
- Memory buffer full warning. When memory capacity reaches 90%, it will send an alarm to remind the system administrator for data collection.
- Unique ID or Block read format supported and programmable key value. (PAS-970PMF)
- RTC ensures to provide correct date and time. Watchdog function secures system free from halting.
- Built-in RS-485 & TCP/IP communication interface to PC. (Able to expandable to 255 sets by RS-485 interface)
- On-board lithium battery ensures data storage can reach up to 1 year upon power outage.

Ordering Information

Package Content:

- PAS-9970 x 1
- Quick Start Guide x 1
- Accessory Pack x 1

Supported Software:

- BSIS-19/20/22/24 Management System

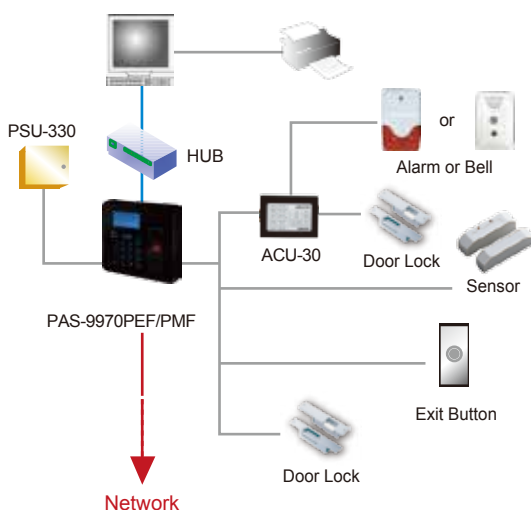
Optional Accessories:

- AC-DC Adapter
- PSU-330 Uninterrupted Power Supply
- ACU-30 slave controller

Specifications

Processor	32 Bit
Memory	1M
Input Port	3 Sensors (Door Sensor x 1 · Exit Button x 1 · Case Sensor x 1)
Output Port	Relay x 1 (Door Lock) · O.C. Output x 2 (Alarm / Door Bell, external ACU-30)
Cardholders / Events	18,000 / 18,000
Fingerprint Capacity	950 user capacity. (2 fingerprint templates per person)
Identification Mode	1 : 1 / 1 : N
Identification Time	1 : 1 <= 1 sec. 1 : 1,000 <= 1 sec.
FAR / FRR	<=0.001% / <=0.01%
Fingerprint Sensor	Optical CMOS Sensor
LED Indicator	Power / Comm.
LCD Display	128 x 64 Dot. Graphic Display with backlight
Keypad	17 Key (F1-F4, 0-9, *, #, Bell) (Sensitive Touch Keypad)
Real Time Clock	YES
Beep Tone	Buzzer & Operating steps sound
ID setting	Command setting by keypad
Read Format & Range	Built-in EM / MIFARE® / MIFARE® DESFire module in the controller. EM : 8~10 CM (PAS-970PEF) (max.) · MIFARE® /MIFARE® DESFire : 3~5cm (PAS-970PMF) (max.)
Power Input	DC 12V / 1A
Current Consumption	1A (max.)
Comm. Interface	RS-485 / TCP/IP
Comm. Baudrate	RS-485: 9,600/19,200 bps-N-8-1 · TCP/IP: 10/100 Mbps
Operating Temp.	0°C ~ 55°C / 32°F ~ 131°F
Relative Humidity	20% ~ 80% (Non-condensing)
Dimension	140mm(L) x 130mm(W) x 41mm(H)
Weight (Device)	400g

System Architecture



Features



- Conforms to ISO 14443A, supporting MIFARE card.
- Unique ID or Block read format supported and programmable key value.
- Provides RS-485 communication interface. It may suit for long distance installation.
- IP65 rated, easy to install indoor and outdoor environments.
- Slim, stylish design, capacitive touch keypad with blue backlight.
- Provides unlock door modes by swiping card, swiping card with PIN code, press card number through keypad and press exit button
- Provides the bell key for connecting an external doorbell device
- In the Ready mode, LCD displays date, day of the week, time; while swiping card, it displays status message or cardholder's name
- Automatically detects the connection status with the control panel. When disconnecting with the control panel, it automatically turns into standalone mode and stays operation by emergency management cards or Auto-Learning mode
- Provides Auto-Learning function to automatically remember 470 swiped card numbers. While disconnecting with the control panel, the reader will turn into standalone mode for operation
- Case sensor detection function.
- Watchdog function secures system free from halting.

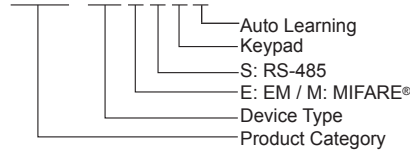
Ordering Information

Package Content:

- PXR-9970 x 1
- Quick Start Guide x 1
- Plate x 1
- Accessory Pack x 1

Model No. Identification

P X R - 9 9 7 0 M S K L



Color

- Silver (SV)

Specifications

Read Format	Mifare (13.56 MHz)
Read Range	3-5 cm(max)
Comm. Interface	RS-485
Keypad	17 Key (F1-F4, 0-9, *, #, Bell)
Input Ports	3 Sensors (Door Sensor x 1 \ Exit Button x 1 \ Case Sensor x 1)
Output Ports	Relay x 1 (Door Lock), O.C. Output x 2 (Door Lock / Alarm by optional ACU-30/90)
ID Setting	Command Setting by Keypad
Comm. Baudrate	19,200 bps-N-8-1
LCD display	128 x 64 Dot. Graphic Display with Backlight
LED Indicators	Power / Comm.
Beep Tone	Buzzer
Ingress Protection	IP 65
Power Input	DC 12V / 1A
Current Consumption	500mA (max)
Operating Temp.	0°C~ 55°C / 32°F~ 131°F
Relative Humidity	20% ~ 80%(Non-condensing)
Dimension (LxWxH)(mm)	130 x 100 x 27

Face Recognition Access controller

Features



- Provide 4,000 faces (1 face template per user), 80,000 cardholders and 100,000 event records.
- Quick and accurate face verification; supports 1:N authentication. And audible voice prompts guiding users during verification process.
- Casing tamper proof detection and door tamper alarm.
- Blacklist and Duress card/code setting. When door opened in the emergency, the controller will send signal to control center at the same time for tracing and rescue.
- Support anti-passback to a single door.
- Provide 256 time zones and time schedules, 8 time conditional unlock door schedules (per week).
- Provide 32 working shifts and 32 siren schedules. Able display current shift or active alarm. (Work with ACU-30). Provide 100 holiday schedules per year.
- Built-in TCP/IP communication interface to PC.
- Equipped with 2.4" color LCD and waterproof sensitive touch keypad with blue backlight.
- In standby mode, LCD screen display date and large font of time (HH:MM).
- Memory buffer full warning. When the remaining memory capacity can only store 1000 records, the LCD will display that 99% of the memory is full, reminding the administrator to collect data.
- Support remote control function.
- On-board lithium battery ensures data storage can reach up to 1 year upon power outage
- RTC ensures to provide correct date and time. Watchdog function secures system free from halting.
- Conforms to ISO 14443A standard; supporting Mifare card. (Mifare model only)
- Unique ID or Block read format supported and programmable key value. (Mifare model only)

Ordering Information

Package Content:

- Controller x 1
- Quick Start Guide x 1
- Accessory Pack x 1

Supported Software:

- BSIS Management System

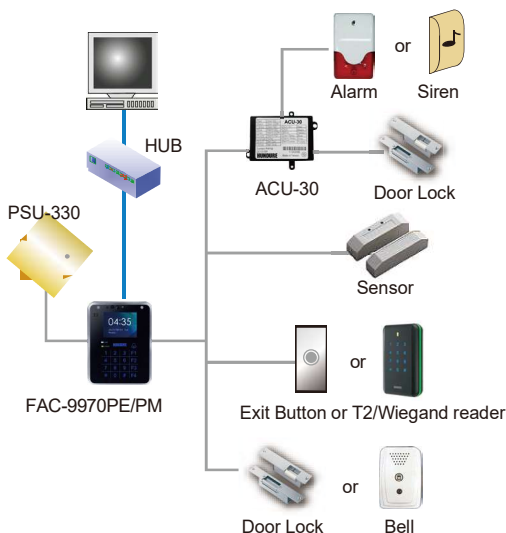
Optional Accessories:

- AC-DC Adapter
- PSU-330 Uninterrupted Power Supply
- T2/Wiegand Proximity Reader
- ACU-30 slave controller

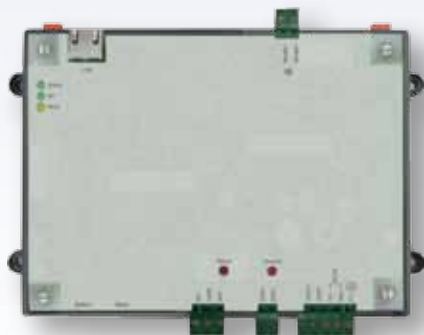
Specifications

Model No.	FAC-9970PE	FAC-9970PM
Read Format	EM (125 KHz)	Mifare (13.56 MHz)
Read Range	6 cm	1.5 cm
Salve Reader	T2 or Wiegand x 1	
Input Port	Sensor x 3 (Door Sensor x 1, Exit Button x 1, Case Sensor x 1)	
Output Port	Relay x 1, O.C. Output x 3 (Alarm /Bell/Siren, external ACU-30)	
Cardholders	80,000	
Events	100,000	
Face Capacity	4,000 (1 face template per user, total 4,000 faces)	
Identification Mode	1 : 1 / 1 : N	
Identification Time	<1.5 Sec., motionless status	
Accuracy Rate	≥ 98.7%, sufficient ambient light	
FAR	≤ 0.0001%	
FRR	≤ 0.4%	
LCD Display	2.4" Color LCD (Face/Message integrated display)	
LED Indicator	Red/Green Bicolor LED x 2 (Power/Comm./Status)	
Keypad	17 Keys (F1-F4, 0-9, *, #, Bell) (Sensitive Touch Keypad)	
Real Time Clock	Yes	
Beep Tone	Buzzer & Speaker	
ID or IP Setting	Command setting by keypad	
Comm. Interface	RS-485 / TCP/IP	
Comm. Baudrate	RS-485: 19,200 bps-N-8-1; TCP/IP: 10/100 Mbps	
Current Consumption	600mA (max.)	
Power Input	DC 12V / 600mA	
Memory Battery	3V Lithium battery (replaceable)	
Operating Temp.	0°C ~ 70°C / 32°F ~ 158°F	
Relative Humidity	20% ~ 80% (Non-condensing)	
Dimension	130 (L) x 100 (W) x 27 (H)	

System Architecture



* Product design and specifications are subject to change without prior notice.



Features

- Provide 1 Relay output for activate alarm.
- Built-in TCP / IP communication interface to PC.
- There are three models, controls 4 / 8 / 16 doors.
- Large capacity: 30,000 cardholders / 100,000 events.
- Provide optical coupled isolated sensors for alarm and reader tamper.
- Control panel and reader separate design, max. connects 16 RS-485 L-series readers or ACU-100 slave control panels. (for T2/W26 reader used). (Able set two-way readers or reader in and exit button out).
- Provide 256 time zones & schedules , each 8 time zones. 64 holiday groups , 100 holiday schedules per group.
- Support Blacklist , Patrol Card so on , also can set up cards valid date , increase the safety of Access Control.
- Anti-passback and Duress card/code setting. When door opened in the emergency, controller will send signal to control center at the same time for tracing and rescue.
- RTC (Real Time Clock) and Watchdog function ensures accurate date/time and system free from halting.
- Support connects extra PSU-330 Uninterrupted power supply, ensure the operation during power outage.
- Control panel holder & block terminal ensure easy installation & easy maintenance.

Ordering Information

Package Content:

- PAS-9400N x 1
- Quick Start Guide x 1

Supported Software:

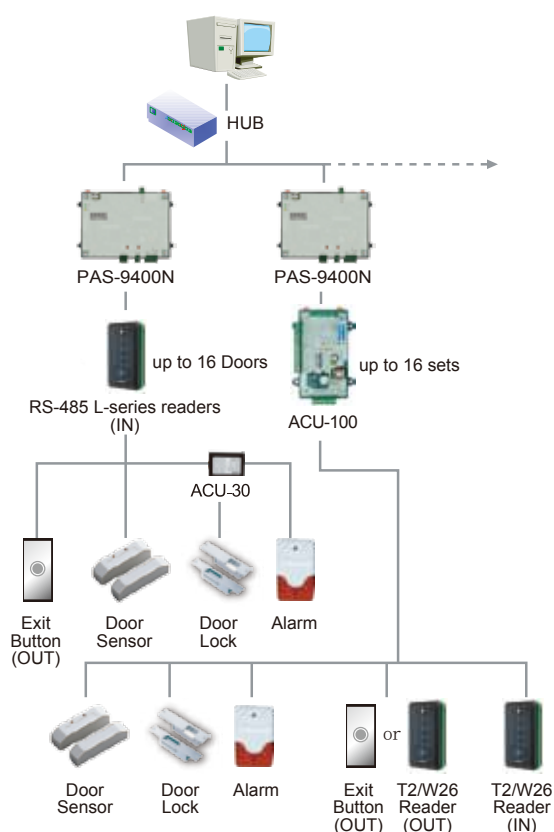
- BSIS-24 Management System

Optional Accessories:

- PSU-330 Uninterrupted Power Supply
- RS-485 L-series Reader
- T2/W26 Proximity Reader
- ACU-30 Slave Controller
- ACU-100 Slave Control Panel

System Architecture

Specifications

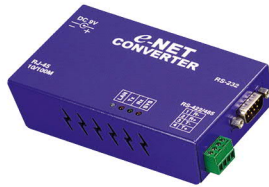


Processor	32 Bit
Memory	4M
Input ports	2 sensors (Input Sensor x 1 - Case Sensor x 1)
Output ports	1 Relay (Alarm x 1)
Cardholders/Events	30,000 / 100,000 (max.)
LED Indicator	Power / Status / Comm.
Real Time Clock	Yes
IP Setting	IP Tool setting
Reader port	RS-485
Power Input	DC 12V / 1A (Excluding Reader)
Current Consumption	500mA (max. Excluding Reader)
Comm. Interface	TCP / IP
Comm. Baud Rate	19,200 bps-N-8-1
Operating Temp.	-10°C ~ 55°C / 14°F ~ 131°F
Relative Humidity	20% ~ 80% (Non-condensing)
Dimension	150mm(L) x 210mm(W) x 29mm(H)
Weight (Device)	400g

BF-430 & e-P132 TCP/IP Converter



BF-430



e-P132

Ordering Information

Package Content:

- BF-430 or e-P132 x 1
- Software CD x 1

Optional Accessories:

- AC-DC Adapter

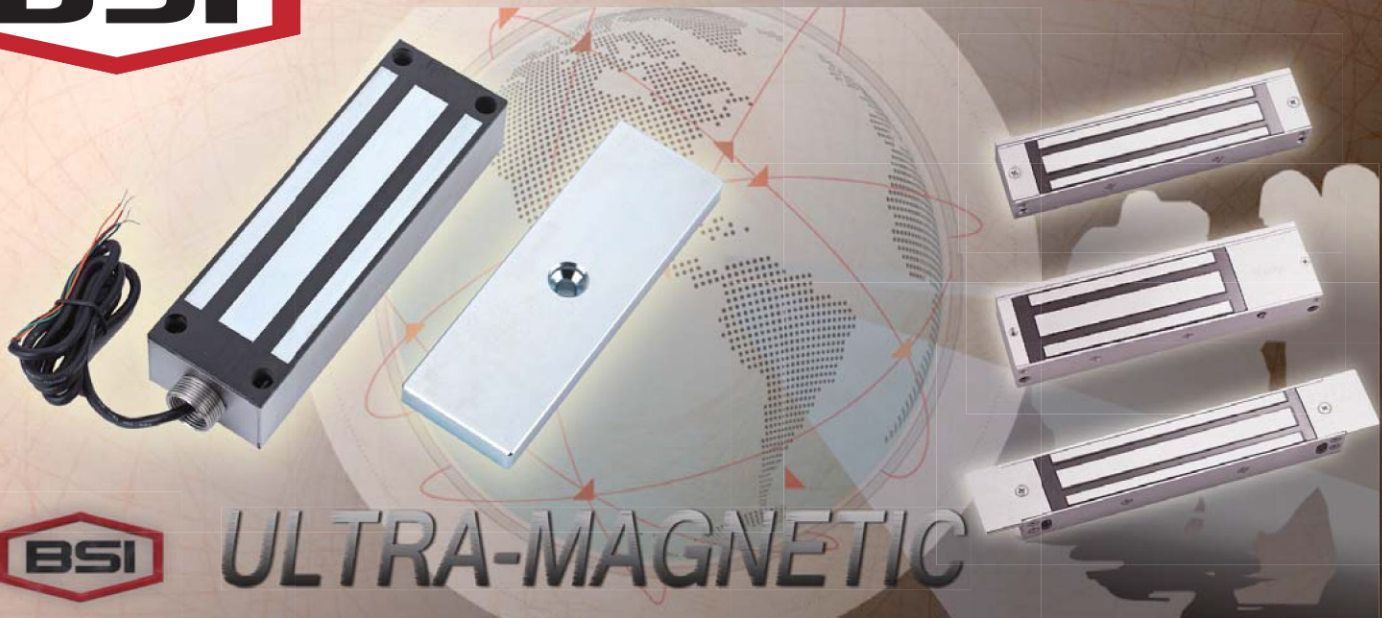
Features

- CE / FCC approved.
- Provide IP Setup Utility.
- High speed 10/100M TCP/IP Converter.
- Simple & friendly GUI interface software utility.
- Watchdog function ensures system free for halting.
- Windows based with Winsock SDK. (Software Development Kit)
- Conversion of RS-232 and RS-485 to fast Ethernet data transmission.
- Provide network ability for Access Control and Time Attendance System.

Specifications

Model No.	BF-430	e-P132
CPU	16-bit RISC	32 Bit
RAM	2 MB (1M x 16bits)	2 MB (1M x 16bits)
ROM	128KB	128KB
Interface	LAN: RJ-45 Connector COM: RS-232 / RS-485	LAN: RJ-45 Connector COM: RS-232 / RS-485
Power Input	DC 9V, 500mA (max)	DC 9V, 500mA (max)
Power Consumption	4.5W (max)	4.5W (max)
Comm. Baudrate	300bps~115.2Kbps-N-8-1	300bps ~ 115.2Kbps-N-8-1
Operating Temp.	0° C~50° C / 32° F~122° F	-20° C ~ 55° C / -4° F ~ 131° F
Relative Humidity	5%~95% (Non Condensing)	5%~95% (Non Condensing)
Dimension(mm)	97 x 75 x 27 LxWxH	115 x 70 x 30 LxWxH
Weight (Device)	165g +/- 5%	150g +/- 5%

* Product design and specifications are subject to change without prior notice.



BSI MAGNETIC LOCK

Electromagnetic locks are widely used in commercial and industrial applications. The lock is usually mounted on the header above the door and the armature is usually mounted on the door.

BSI provides full line of electromagnetic locks for all types of doors. Our models are designed to secure any type of door or gate that closes against a fixed stop. All of our locks components are carefully designed, manufactured and tested to ensure superior quality.

300LBS MAGNETIC LOCK



DSL1501



DSL1502



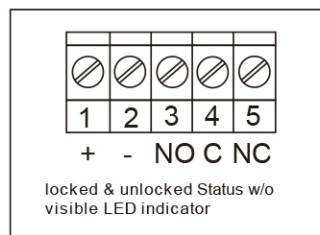
DSL1503

General Feature

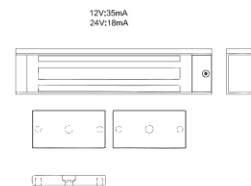
- ★ DIMENSIONS:
 - Magnet (DSL1501): 180mmLx38.6mmWx24.5mmD
 - Magnet (DSL1502): 166mmLx38.6mmWx21.5mmD
 - Magnet (DSL1503): 202mmLx34.5mmWx21mmD
- ★ Armature Plate: 130mmLx32mmWx8mmT
- ★ Armature Plate: 62mmLx32mmWx8mmT(DSL1502-2AP)
- ★ Dual Voltage: 12/24VDC
- ★ Current Draw: 360mA/12VDC, 180mA/24VDC
- ★ Surface Mounted: DSL1501, DSL1502
- ★ Mortise Mounted: DSL1503
- ★ Holding Force: about 300LBS
- ★ Built-in Voltage Spike Suppressor
- ★ Option:
 - DSL1501: Lock sensor
 - DSL1502: Basic type
 - DSL1502-2AP: Basic type & 2 split armature plate
 - DSL1503: Basic type

DSL1501 OPTIONAL FEATURE

Lock Status Sensor



DSL1502 Dimensions



600LBS MAGNETIC LOCK



DSL2701



DSL2702



MSL2701



General Feature

★ DIMENSIONS:

- Magnet(DSL2701): 250mmLx47.2mmWx26.6mmD
- Magnet(DSL2702): 500mmLx47.2mmWx26.6mmD
- Armature Plate: 185mmLx38mmWx12.5mmT
- Magnet(MSL2701): 228mmLx38mmWx27mmD
- Armature(MSL2701): 185mmLx38mmWx12.5mmT

★ Dual Voltage: 12/24VDC

★ Current Draw: 500mA/12VDC, 250mA/24VDC

★ Surface Mounted: DSL2701, DSL2702

★ Mortise Mounted: MSL2701

★ Holding Force: about 600LBS

★ Built-in Voltage Spike Suppressor

★ Timer: 0-90 seconds

★ Option:

→ DSL2701: Basic type

DSL2701H: Lock Status Sensor

DSL2701HT: Timer, Lock Status Sensor

DSL2701HT-DS: Timer, Lock Status Sensor and Door Status Sensor

DSL2701H-DS: Lock Status Sensor and Door Status Sensor

→ DSL2702: Basic type

DSL2702H: Lock Status Sensor

DSL2702H-DS: Lock Status Sensor and Door Status Sensor

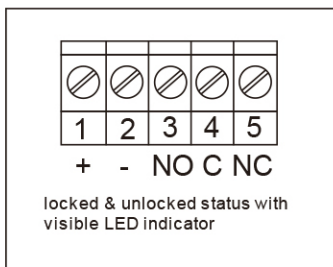
→ MSL2701: Basic type

MSL2701H: Lock Status Sensor

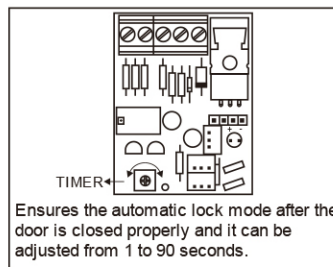
MSL2701HT: Timer, Lock Status Sensor

DSL2701 OPTIONAL FEATURE

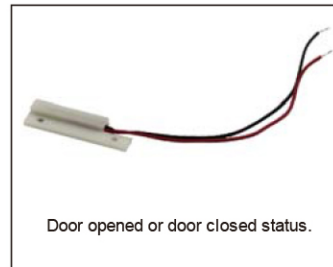
Lock Status Sensor



RELOCK TIME DELAY

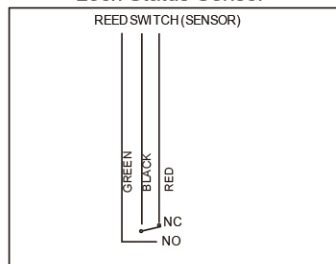


DOOR STATUS SENSOR

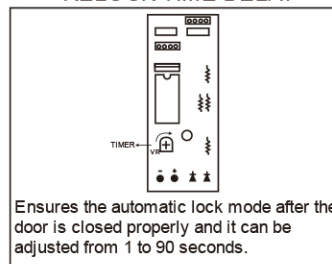


MSL2701 OPTIONAL FEATURE

Lock Status Sensor



RELOCK TIME DELAY



1200LBS MAGNETIC LOCK

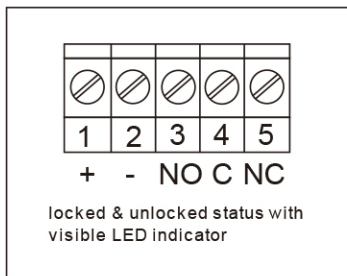


General Feature

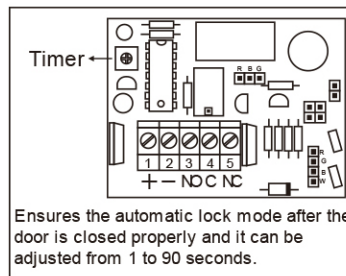
- ★ DIMENSIONS:
 - Magnet (DSL5501): 266mmLx73mmWx40mmD
 - Magnet (DSL5502): 532mmLx73mmWx40mmD
 - Armature Plate: 185mmLx61mmWx16mmT
 - Dual Voltage: 12/24VDC
- ★ Current Draw: 500mA/12VDC, 250mA/24VDC
- ★ Surface Mounted
- ★ Holding Force: about 1200LBS
- ★ Built-in Voltage Spike Suppressor
- ★ Timer: 0-90 seconds
- ★ Power to Lock
- ★ Option:
 - DSL5501: Basic type
 - DSL5501H: Lock Status Sensor
 - DSL5501HT: Timer, Lock Status Sensor
 - DSL5501HT-DS: Timer, Lock Status Sensor and Door Status Sensor

DSL5501 OPTIONAL FEATURE

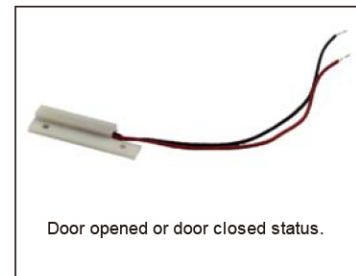
Lock Status Sensor



RELOCK TIME DELAY



DOOR STATUS SENSOR



GATE LOCK



General Feature

- ★ DIMENSIONS:
 - Magnet (GL2801): 203mmLx44mmWx40.2mmD
 - Magnet (GL2801S): 203mmLx44mmWx38.5mmD
 - Magnet (GL5601): 203mmLx63.5mmWx40.8mmD
 - Magnet (GL5601S): 220mmLx63.5mmWx40.8mmD
- ★ Armature Plate(GL2801 series): 185mmLx38mmWx12.5mmT
- ★ Armature Plate(GL5601 series): 185mmLx61mmWx16mmT
- ★ Stainless Steel Housing
- ★ Dual Voltage: 12/24VDC
- ★ Current Draw: 500mA/12VDC, 250mA/24VDC
- ★ Face Mounted: GL2801, GL5601
- ★ Side Mounted: GL2801S, GL5601S
- ★ Holding Force:
 - GL2801 series - about 600LBS
 - GL5601 series - about 1200LBS
- ★ Built-in Voltage Spike Suppressor
- Option:
 - GL2801R(GL2801SR) - Lock Status Sensor
 - GL5601R(GL5601SR) - Lock Status Sensor

1500LBS MAGNETIC LOCK

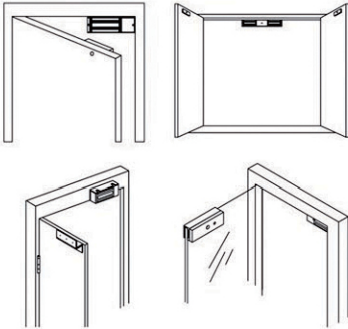


DSL6150H-DS

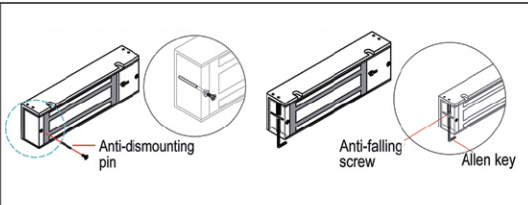


Application

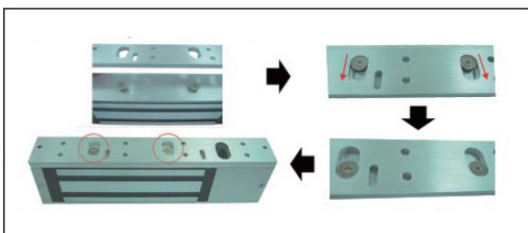
- Horizontal or vertical installation



Anti-dismounting and Anti-falling function



Special mounting plate for fast, effort-saving and simple installation



General Feature

◇ DIMENSIONS:

Magnet(DSL6150H-DS): 286mmLx73mmWx40mmD

- ◇ Armature Plate: 185mmLx61mmWx16mmT
- ◇ Dual Voltage: 12/24VDC
- ◇ Current Draw: 600mA/12VDC, 300mA/24VDC
- ◇ Holding Force: about 1500LBS
- ◇ Built-in Voltage Spike Suppressor
- ◇ With Bi-color LED
- ◇ Anodized aluminum housing
- ◇ Adjustable mounting plate for easy and appropriate installation
- ◇ Special finish : Zinc (on the magnet & armature plate)
- ◇ No residual magnetism
- ◇ Timer: 0-90 seconds
- ◇ Option:

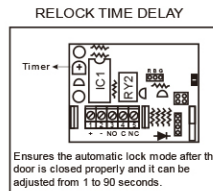
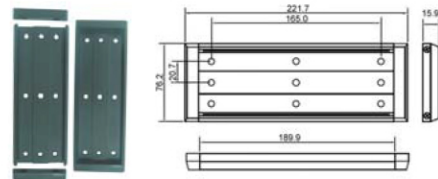
DSL6150: Basic type

DSL6150H: Lock Status Sensor

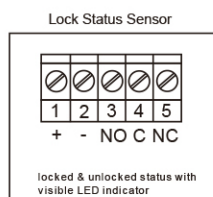
DSL6150HT: Timer, Lock Status Sensor

DSL6150HT-DS: Timer, Lock Status Sensor
and Door Status Sensor

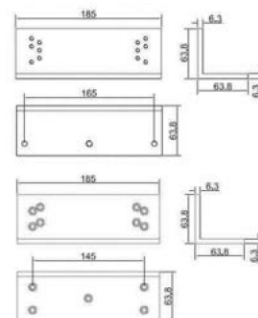
Brackets

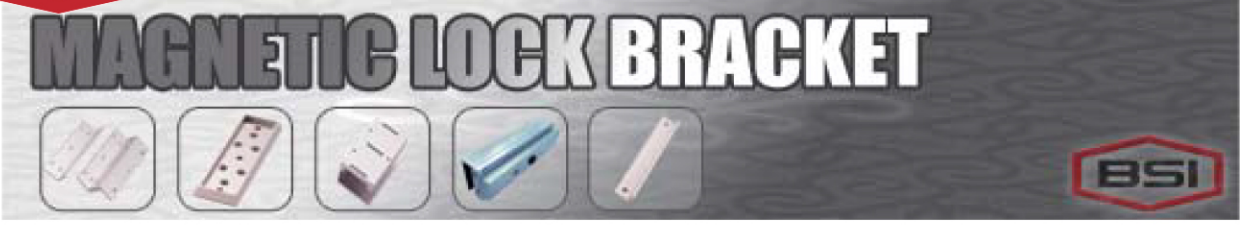


EA342D



EA350





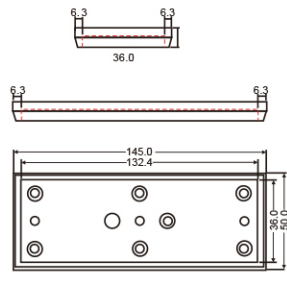
BRACKET FOR 300LBS



EA302

ARMATURE PLATE HOUSING

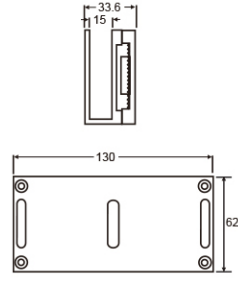
- ★ DIMENSIONS: 145mmLx50mmWx15mmD
- ★ Aluminum Painted Finish



DU211

U BRACKET

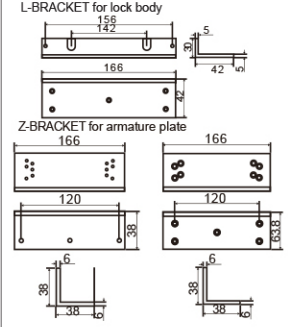
- ★ DIMENSIONS: 130mmLx62mmWx33mmD
- ★ ANODIZED Finish
- ★ Suitable for Glass Door
- ★ Max 12mm glass door thickness.



EA300

L & Z BRACKET

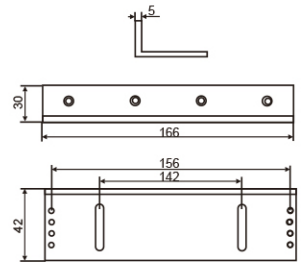
- ★ DIMENSIONS: L:166mmLx42mmWx30mmD
Z:166mmLx38mmWx38mmD
- ★ ANODIZED Finish



EA304

L BRACKET

- ★ DIMENSIONS: 166mmLx42mmWx30mmD
- ★ ANODIZED FINISH



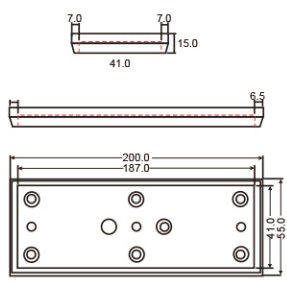
BRACKET FOR 600LBS



EA322

ARMATURE PLATE HOUSING

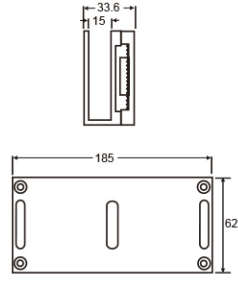
- ★ DIMENSIONS: 200mmLx55mmWx15mmD
- ★ Aluminum Painted Finish



DU213

U BRACKET

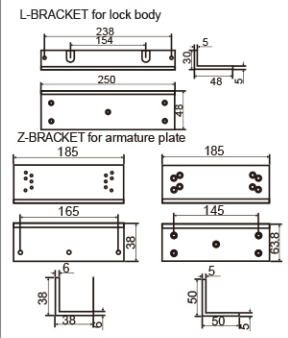
- ★ DIMENSIONS: 185mmLx62mmWx33.6mmD
- ★ ANODIZED Finish
- ★ Suitable for Glass Door
- ★ Max 12mm glass door thickness.



EA320

L & Z BRACKET

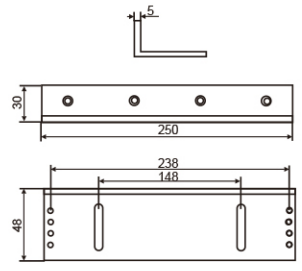
- ★ DIMENSIONS: L:250mmLx48mmWx30mmD
Z:185mmLx50mmWx50mmD
- ★ ANODIZED Finish



EA314

L BRACKET

- ★ DIMENSIONS: 250mmLx48mmWx30mmD
- ★ ANODIZED FINISH



BRACKET FOR 1200LBS

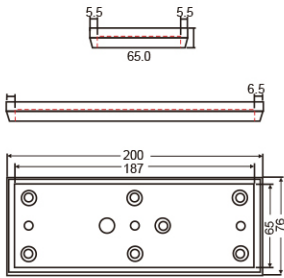


EA342



ARMATURE PLATE HOUSING

- ★ DIMENSIONS: 200mmLx76mmWx15mmD
- ★ Aluminum Painted Finish

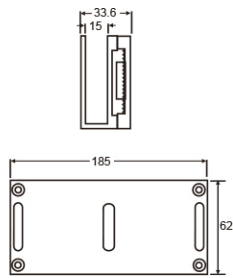


DU213



U BRACKET

- ★ DIMENSIONS: 185mmLx62mmWx33.6mmD
- ★ ANODIZED Finish
- ★ Suitable for Glass Door
- ★ Max 12mm glass door thickness.

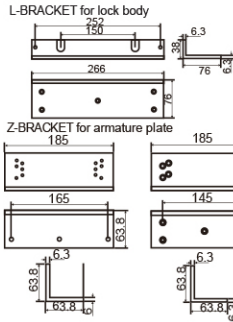


EA340



L & Z BRACKET

- ★ DIMENSIONS: L:266mmLx76mmWx38mmD
Z:185mmLx63.8mmWx63.8mmD
- ★ ANODIZED Finish

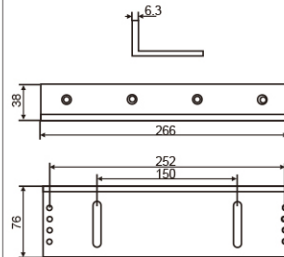


EA324



L BRACKET

- ★ DIMENSIONS: 266mmLx76mmWx38mmD
- ★ ANODIZED FINISH



BRACKET FOR GATE LOCK

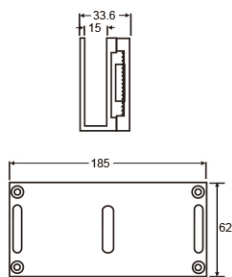


DU213



U BRACKET

- DIMENSIONS: 185mmLx62mmWx33.6mmD
- ANODIZED Finish
- Suitable for Glass Door
- Max 12mm glass door thickness.

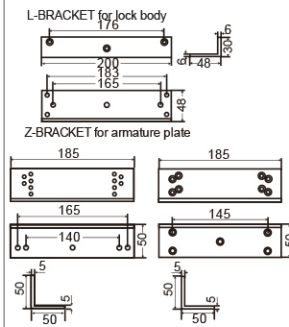


EA321
(for 600lbs)



L & Z BRACKET

- ★ DIMENSIONS: L:200mmLx48mmWx30mmD
Z:185mmLx50mmWx50mmD
- ★ ANODIZED FINISH

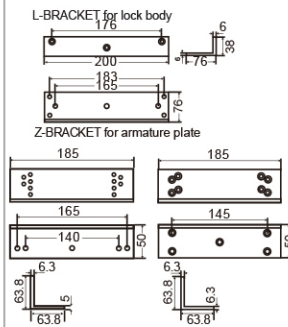


EA341
(for 1200lbs)



L & Z BRACKET

- ★ DIMENSIONS: L:200mmLx76mmWx38mmD
Z:185mmLx63.8mmWx63.8mmD
- ANODIZED Finish

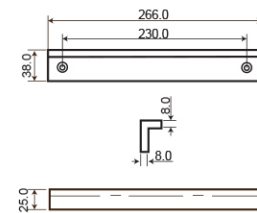


EA343



ANGLE BRACKET

- ★ DIMENSIONS: 266mmLx38mmWx25mmD
- ★ ANODIZED FINISH

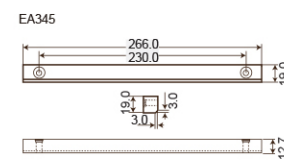
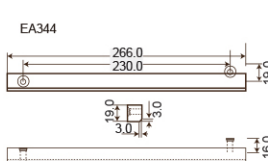


EA344
EA345



FILLER BAR

- ★ DIMENSIONS: EA344:266mmLx19mmWx16mmD
EA345:266mmLx19mmWx12.7mmD
- ★ ANODIZED FINISH



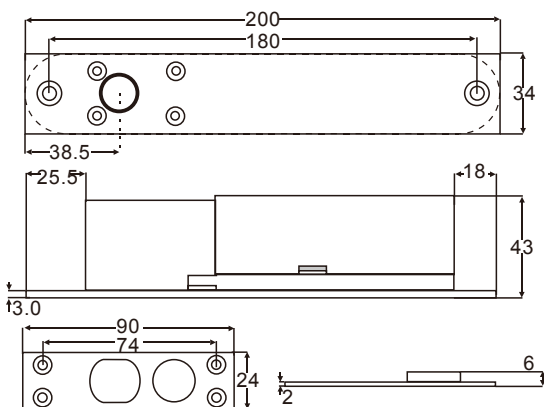


BSI ELECTRIC BOLTS

BASIC TYPE



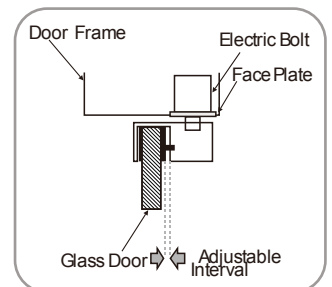
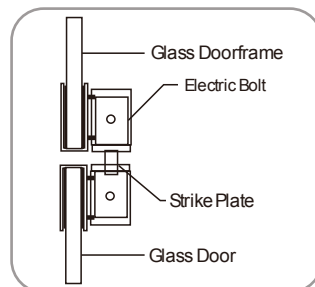
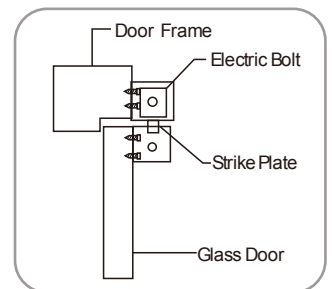
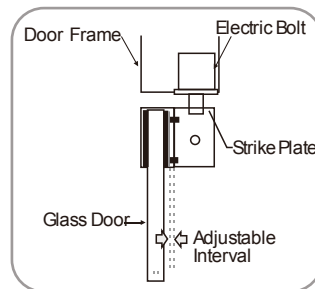
DIMENSION



General Feature

- ★ DIMENSIONS:
 - Body: 200mmLx34mmWx42mmD
 - Face Plate: 200mmLx34mmWx3mmD
 - Strike Plate: 90mmLx24mmWx3mmD
- ★ Current Draw: 1A/12VDC(Pull-in Current)
0.3A/12VDC(Holding Current)
- ★ Voltage: 12/24VDC
- ★ Fail-safe: Locked When Energized
- ★ Built-in Voltage Spike Suppressor
- ★ Option:
 - SL/Lock Status Sensor (SDL521SL, SDL521SL)
 - SD/Door Status Sensor (SDL521SD, SDLR521SD)
 - SLD/With Lock & Door Status Sensor (SDL521SLD, SDLR521SLD)

INSATLLATION

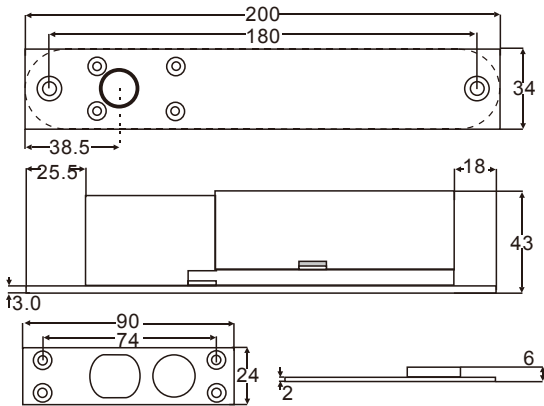


BASIC TYPE



SDL523SLD

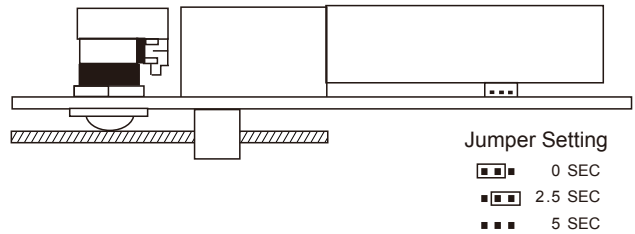
DIMENSION



General Feature

- ★ DIMENSIONS:
Body: 200mmLx34mmWx42mmD
Face Plate: 200mmLx34mmWx3mmD
Strike Plate: 90mmLx24mmWx3mmD
- ★ Current Draw: 1A/12VDC(Pull-in Current)
0.3A/12VDC(Holding Current)
- ★ Voltage: 12/24VDC
- ★ Fail-safe: Locked When Energized
- ★ Built-in Voltage Spike Suppressor
- ★ Option:
SL/Lock Status Sensor (SDL521SL, SDL521SL)
SD/Door Status Sensor (SDL521SD, SDLR521SD)
SLD/With Lock & Door Status Sensor (SDL521SLD, SDLR521SLD)

AUTOLOCK TIME DELAY



BASIC TYPE

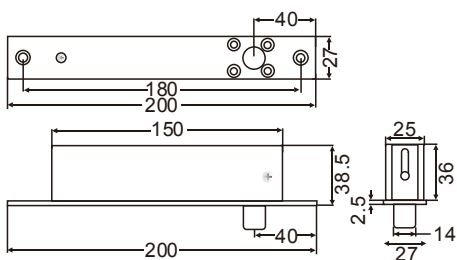


SDL527SLD-A



SDL527SLD-B

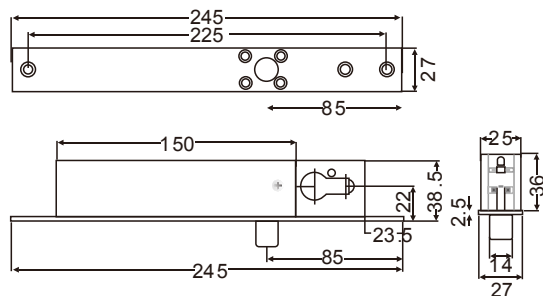
SDL527SLD-A DIMENSION



General Feature

- ★ DIMENSIONS:
SDL527SLD-A: 200mmLx27mmWx38.5mmD
SDL527SLD-B: 245mmLx27mmWx38.5mmD
- ★ Voltage: 12/24VDC
- ★ Current Draw:
Start: 1.5A/12VDC, 0.85A/24VDC
Standby: 0.2A/12VDC, 0.3A/24V
- ★ Dual mode: fail-safe / fail-secure on site reversible
- ★ Monitor: Double - door and lock status sensor.
- ★ Timer: Selectable - 0, 3, 6 SEC
- ★ Face Plate Material: Stainless Steel
- ★ Fire Resistant
- ★ SDL527SLD-B with cylinder bracket can use with key cylinder to open the bolt lock manually.

SDL527SLD-B DIMENSION



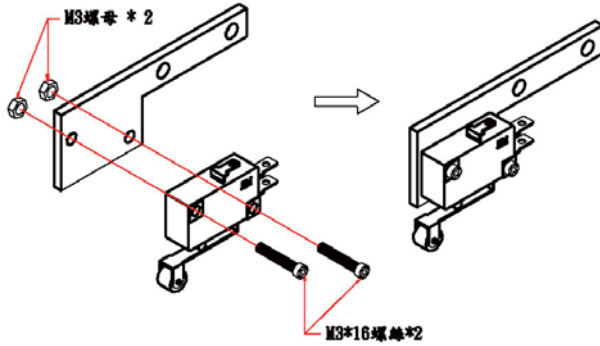
ELECTRIC BOLT LOCK FOR AUTO. DOOR USE.

SDL521AUTO-B

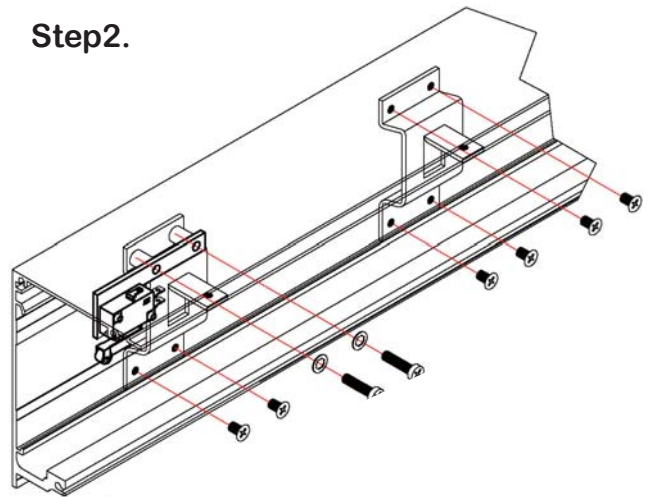


- ⌞ DIMENSIONS:
- ⌞ Body: 200mmLx34mmWx42mmD
- ⌞ Face Plate: 200mmLx34mmWx3mmD
- ⌞ Strike Plate: 90mmLx24mmWx3mmD
- ⌞ Current Draw: 1A/12VDC(Pull-in Current)
0.3A/12VDC(Holding Current)
- ⌞ Voltage: 12/24VDC
- ⌞ Fail-safe: Locked When Energized
- ⌞ Built-in Voltage Spike Suppressor

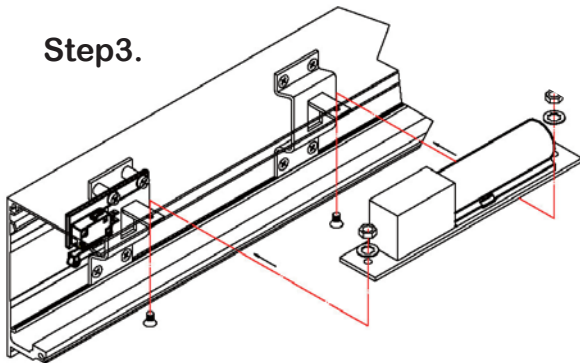
Step1.



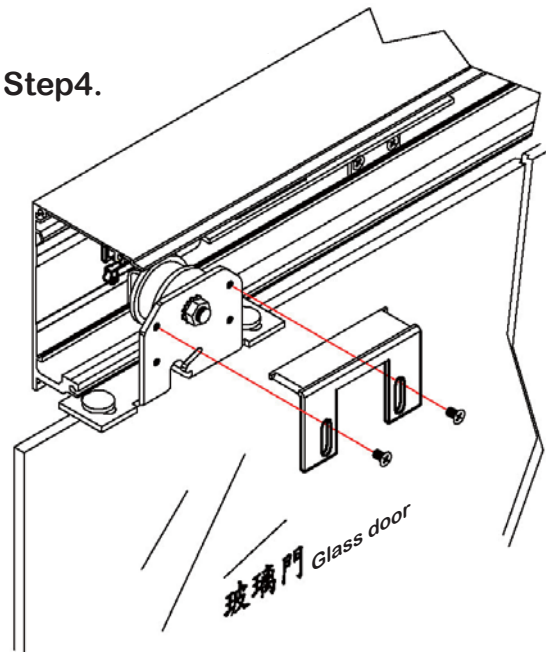
Step2.



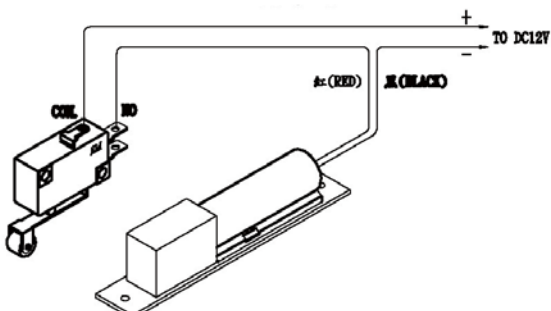
Step3.



Step4.



Wiring Diagram



ELECTRIC BOLT BRACKET



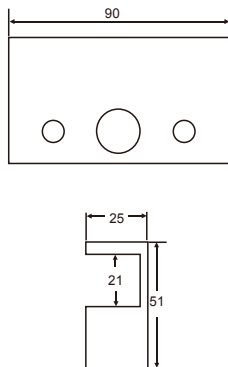
U BRACETS

DU212



DIMENSION

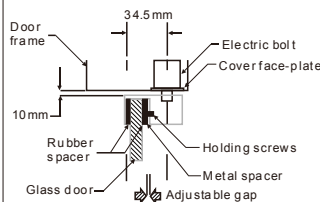
DU212:
90mmLx51mmWx25mmD



General Feature

- ★ DIMENSIONS: 90mmLx51mmWx25mmD
- ★ Suitable for glass door / framed harder
- ★ Anodized Finish
- ★ Using socket set screws to suit
- ★ 9-15mm-thick glass door

APPLICATION

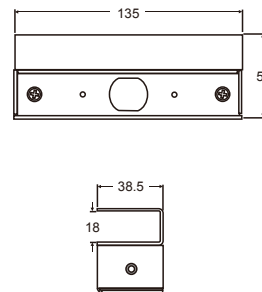


DU215



DIMENSION

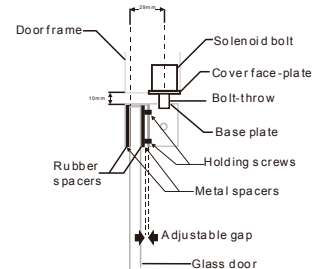
DU215:
135mmLx55mmWx38.5mmD



General Feature

- ★ DIMENSIONS: 135mmLx55mmWx38.5mmD
- ★ Suitable for glass door / framed harder
- ★ Brushed Finish
- ★ Stainless Steel

APPLICATION



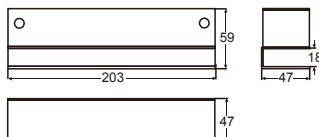
SURFACE MOUNTED U BRACKET

DU214

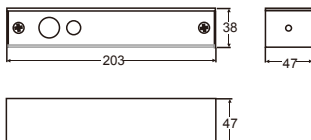


DIMENSION

DU214 for bolt body:
203mmLx59mmWx47mmD



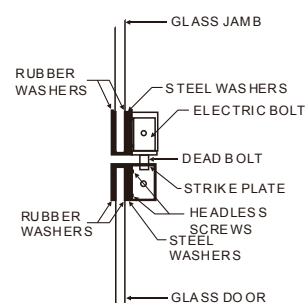
DU214 for strike plate:
203mmLx59mmWx47mmD



General Feature

- ★ DIMENSIONS: 203mmLx59mmWx47mmD
- ★ Suitable for glass door
- ★ Anodized Finish
- ★ Using socket set screws to suit
- ★ 9-15mm-thick glass door

APPLICATION

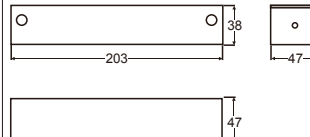


DU216

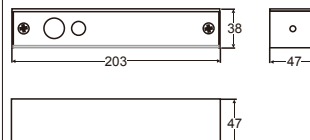


DIMENSION

DU216 for bolt body:
203mmLx38mmWx47mmD



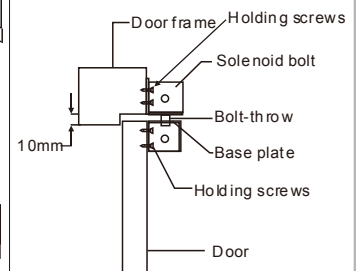
DU216 for strike plate:
203mmLx38mmWx47mmD

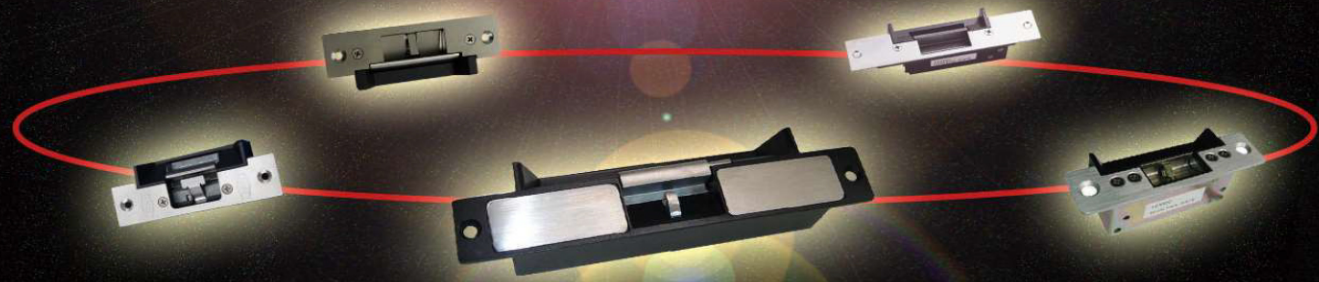


General Feature

- ★ DIMENSIONS: 203mmLx38mmWx47mmD
- ★ Suitable for glass door / framed harder
- ★ Brushed Finish
- ★ Stainless Steel

APPLICATION





SAFETY



ELECTRIC STRIKE

DUAL MODE

DEL300SLD



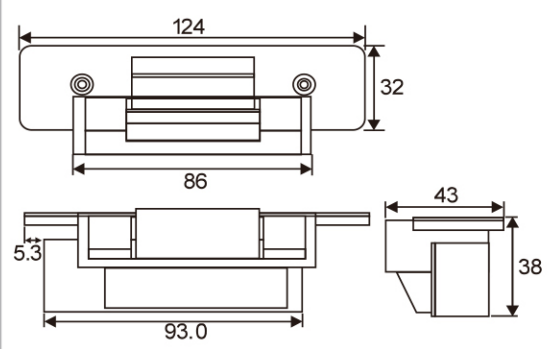
DEL125SD



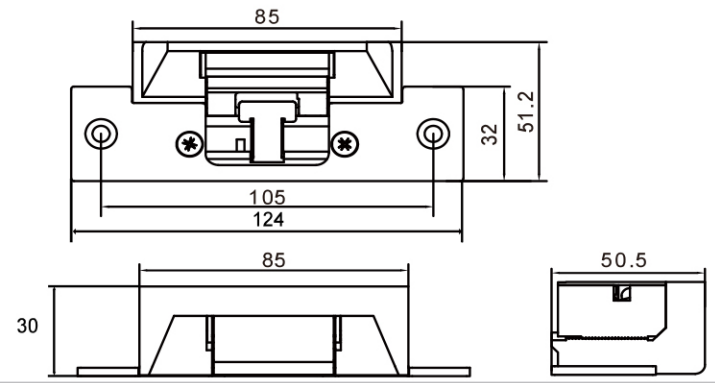
General Feature

- ★ DIMENSIONS:
DEL125SD: 124Lx43.5Wx32.5Dmm
DEL300SLD: 124Lx47Wx32Dmm
- ★ Latch Deeper:
DEL300SLD: 5/8" (15.8mm)
DEL125SD: 1/2" (12.7mm)
- ★ Modes:
DEL125SD: Fail Secure / Fail Safe
DEL300SLD: Fail Secure / Fail Safe
- Current:
★ DEL125SD: 280mA/12VDC, 140mA/240VDC
DEL300SLD: 280mA/12VDC, 140mA/24VDC
- Face Plates:
★ DEL125SD-Stainless Steel
DEL300SLD-stainless Steel
- Sensor Options:
SD - Door Sensor
SLD - Lock sensor & Door sensor

DEL125SD DIMENSION



DEL300SLD DIMENSION



DUAL MODE

DEL124SLD



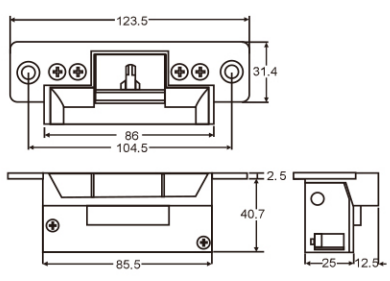
DEL124SLD-EX



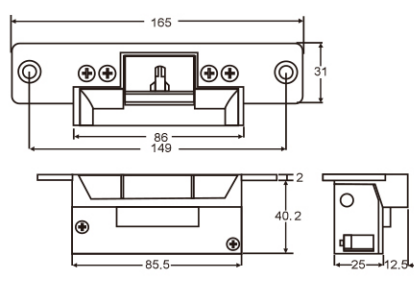
General Feature

- ★ **DIMENSIONS:**
 DEL124SLD: 123.5Lx31.4Wx40.7Dmm
 Keeper Depth: 12.7mm
 DEL124SLD-EX: 165Lx31Wx40.2Dmm
 Keep Depth: 12.7mm
- ★ **FACE PLATE DIMENSIONS:**
 DEL124SLD: 123.5Lx31.4Wx2.5Dmm
 DEL124SLD-EX: 165Lx31Wx2Tmm
- ★ **Modes:**
 DEL124SLD Aluminum face plate fail secure w/door, lock monitor 12VDC
 DEL124SLD-EX Stainless steel face plate fail secure w/door, lock monitor 12VDC
- ★ **Current:** 260mA/12VDC or 150mA/24VDC (specify on order)
- ★ **Fail Safe/Fail Secure:** Site convertible from one mode to the other (Fail secure default, unless specify on order)

DEL124SLD DIMENSION



DEL124SLD-EX DIMENSION



DUAL MODE

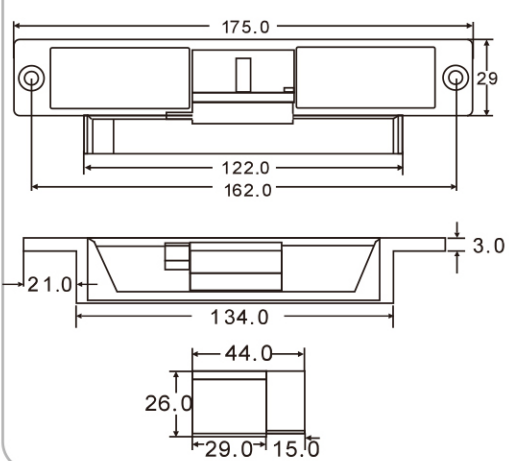
DEL304SLD



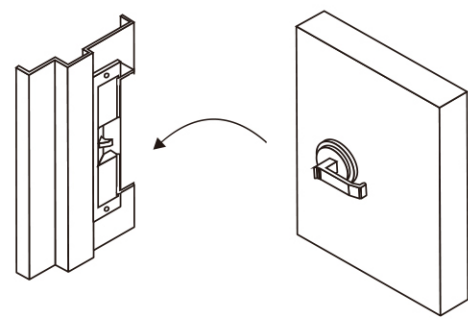
General Feature

- ★ **DIMENSIONS:**
 DEL304SLD: 175Lx29Wx26Dmm
 Keeper Depth: 10.8mm
 Face Plate: 175Lx29Wx3Tmm
- ★ **Mode:** Stainless steel face plate fail secure w/door, lock sensor
- ★ **Current:**
 280mA/12VDC or 140mA/24VDC (specify on order)
 170mA/12VAC or 85mA/24VAC (specify on order)
- ★ **Door Latch:** 10.8mm
- ★ **Site convertible** from one mode to the other (Fail secure default, unless specify on order)

DEL304SLD DIMENSION



INSTALLATION

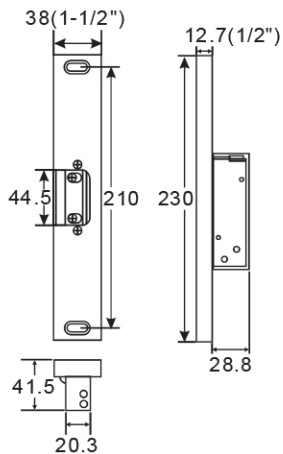


DUAL MODE -For Rim Exit Device

DEL3310



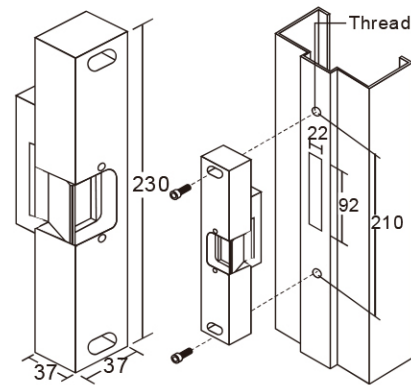
DEL3310 DIMENSION



General Feature

- ★ DIMENSIONS:
DEL3310: 230mmLx38mmWx41.5mmD
Voltage: 12V or 24VDC/AC
Mode: Aluminum face Plate fail secure.
- ★ Current:
400mA/12VDC or 200mA/24VDC (specify on order)
540mA/12VAC or 308mA/24VAC (specify on order)
- ★ Door Latch: 15 mm
- ★ Site convertible from one mode to the other (Fail secure default, unless specify on order)

INSTALLATION

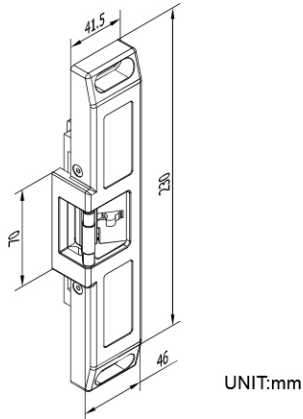


UNIT:mm

DEL3350SLD



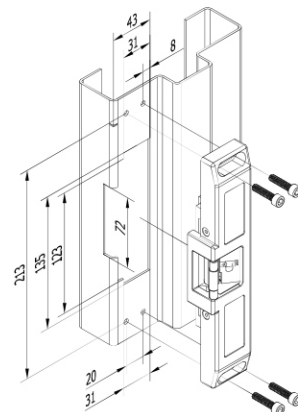
DEL3350SLD DIMENSION



General Feature

- ★ DIMENSIONS:
DEL3350SLD: 230mmLx46mmWx30.5mmD
Voltage: 12V or 24VDC
Mode: Failsafe/ Failsecure with door & lock sensor
- ★ Current:
280mA/12VDC 140mA/24VDC
- ★ Material: Stainless Steel
- ★ Door Latch: 17 mm
- ★ Keeper sensor(optional)
- ★ Site convertible from one mode to the other
(Fail secure default, unless specify on order)

INSTALLATION



UNIT:mm

DEL1125



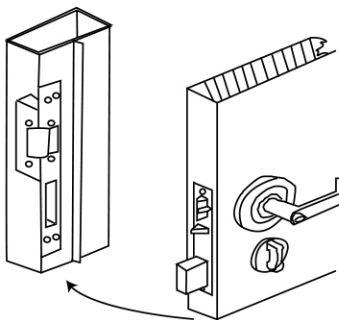
General Feature

- ★ Dimensions: 250L x 25W x 31D mm
- ★ DEL1125/DEL1125F Fail Secure/Fail Safe
- ★ Current: 600mA/12VDC, (F)280mA/12VDC
300mA/24VDC, (F)140mA/24VDC
- ★ Face Plates:

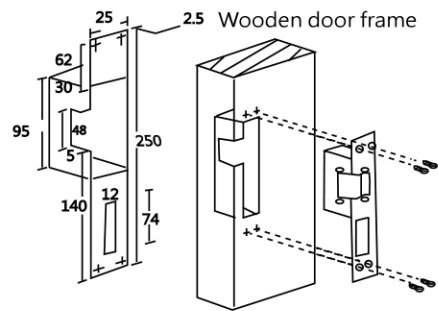
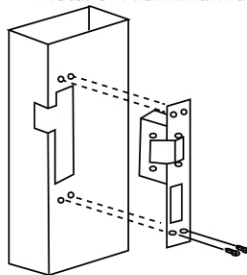
- ★ DEL1125(F) - Steel (Painted)
- SDEL1125(F) - Stainless steel

Keep Depth: 6mm

DEL1125 INSTALLATION



Metal or Aluminium door frame



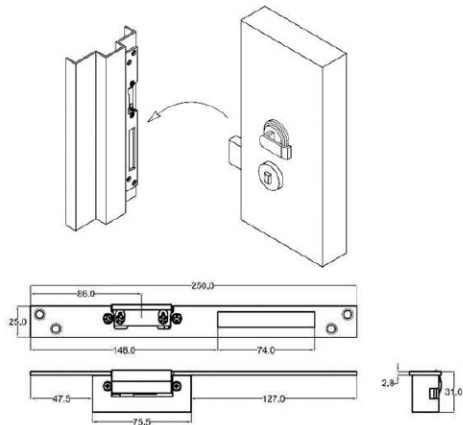
Dimensions needed to install strike
Unit:mm

DEL1125-(J.A.B)



- J: Adjustable Jaw
- A: Day Locking Lever
- B: Impulse Switch

DEL1125 INSTALLATION



General Feature

- ★ DEL1125J - Steel face plate adjustable symmetrical strike fail secure 12VDC
- ★ DEL1125JA - Stainless steel face plate adjustable symmetrical strike, day locking lever, fail secure 12VDC
- ★ DEL1125JAB-24 - Steel face plate adjustable symmetrical strike, day locking lever, impulse switch, fail secure 24VDC
- ★ Fail safe type: DEL1125F/SDEL1125JF only
- ★ Dimensions: 250L x 25W x 31Hmm
- ★ Voltage: 12VDC(default) or 24VDC
- ★ Current draw:
 - fail secure - 600mA/12VDC
 - fail secure - 300mA/24VDC(specified on order)
 - fail safe - 280mA/12VDC
 - fail safe - 140mA/24VDC(specified on order)
- ★ Face plate:
 - steel/stainless steel - 250L x 25W x 2.8T mm
- ★ Built-in voltage spike suppressor
- ★ Keeper depth: 6mm
- ★ Applicable door latch: 9mm
- ★ CE approved

DEL1316

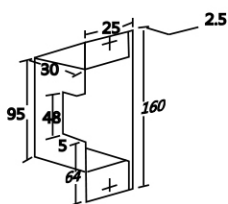
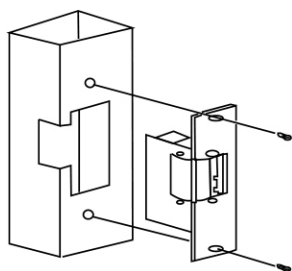


General Feature

- ★ Dimensions: 160L x 25W x 31D mm
- ★ DEL1316/DEL1316F Fail Secure/Fail Safe
- ★ Current: 400mA/12VDC, (F)200mA/12VDC
200mA/24VDC, (F)100mA/24VDC
- ★ Face Plates:
DEL1316(F) - Steel (Painted)
SDEL1316(F) - Stainless steel
- ★ Keep Depth: 9.6mm

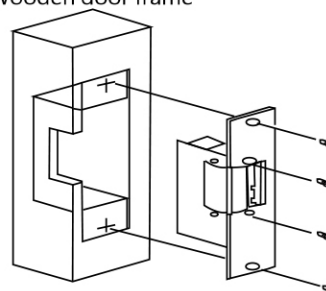
DEL1316 INSTALLATION

Metal or Aluminium door frame

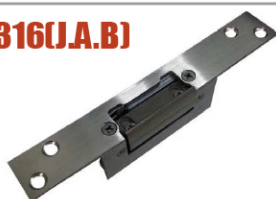


Dimensions needed to install strike
Unit:mm

Wooden door frame



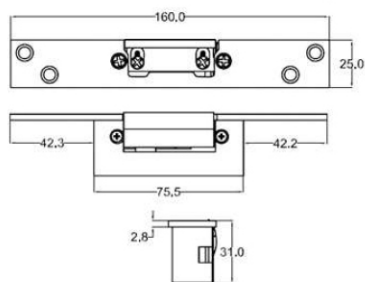
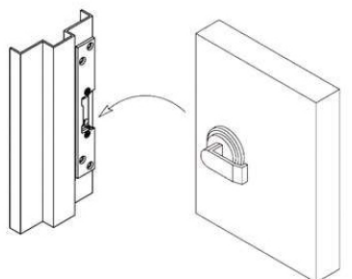
DEL1316(J.A.B)



General Feature

- ★ DEL1316J – Steel face plate, Adjustable symmetrical strike, fail secure, 12VDC
- ★ DEL1316JA – Stainless steel face plate, Adjustable symmetrical strike, w/day locking lever, fail secure, 12VDC
- ★ DEL1316JAB-24 – Steel face plate, Adjustable symmetrical strike, w/day locking lever and impulse switch, fail secure, 24VDC
- ★ Fail safe type: DEL1316JF/SDEL1316JF only.
- ★ Dimensions:
DEL1316J/SDEL1316J - 160L x 25W x 31.4H mm
- ★ Voltage: 12VDC(default) or 24VDC
- ★ Current draw:
600mA/12VDC, 300mA/24VDC (fail secure)
280mA/12VDC, 140mA/24VDC (fail safe)
- ★ Face plate:
aluminum - 160L x 25W x 2.8T mm
stainless steel - 160L x 25W x 2.8T mm
- ★ Keeper depth: 6mm
- ★ Applicable door latch: 9 mm

INSTALLATION



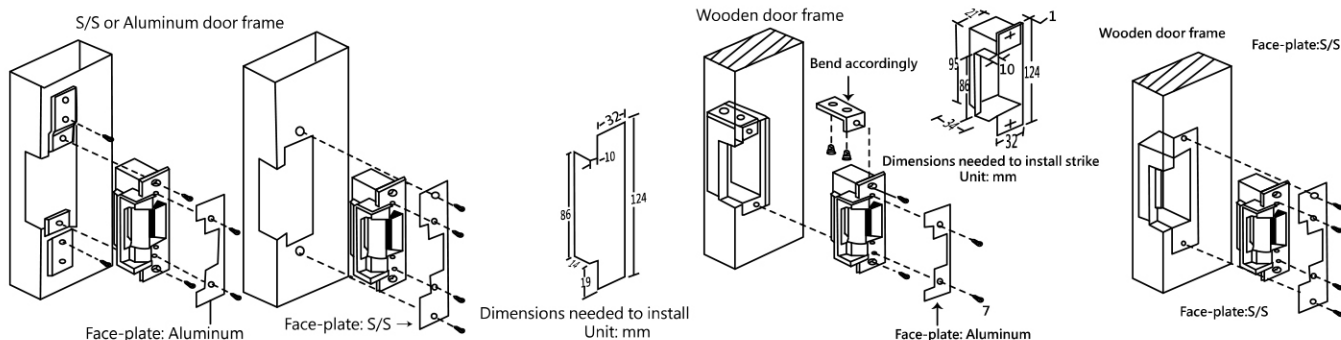
DEL1335



General Feature

- ★ Dimensions: 125L x 32W x 38D mm
165L x 32W x 38D mm (SDEL1335)
- ★ DEL1335/DEL1335F Fail Secure/Fail Safe
- ★ Current: 400mA/12VDC, (F)200mA/12VDC
200mA/24VDC, (F)100mA/24VDC
- ★ Face Plates:
DEL1335(F) - Aluminium
SDEL1335 - Stainless steel (165mmL)
- ★ Keep Depth: 16mm

DEL1335 INSTALLATION



FRAMELESS SERIES

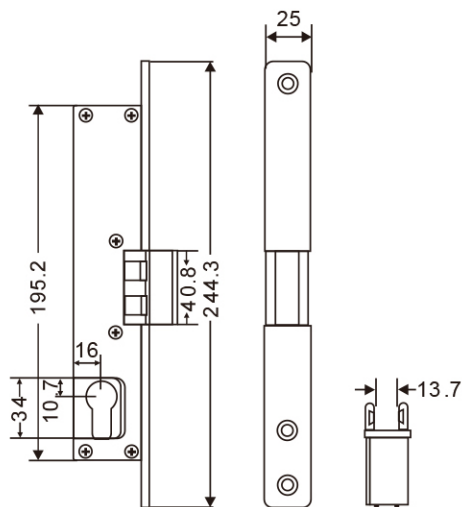
DEL245SL(D)



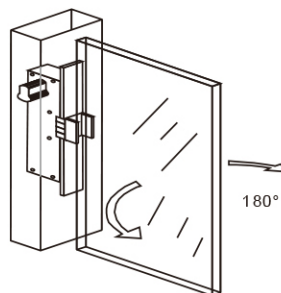
General Feature

- ★ DIMENSIONS:
DEL245SL: 245L x 25W x 41D mm
- ★ Mode:
DEL245SL Double-swing glass door (dual mode) fail secure w/lock sensor
DEL245SLD Double-swing glass door (dual mode) w/lock & door sensor
- ★ Glass thickness: 8~12mm
- ★ Current: 300mA/12VDC / 150mA/24VDC
- ★ Fail Safe/Fail Secure:
Site convertible from one mode to the other (Fail secure default, unless specify on order)
- ★ Option:
Lock Cylinder for Emergency opening in Fail Secure Mode
- ★ Application:
1. Application to frameless glass door only
2. Bi-directional locking function

DEL245SLD DIMENSION



INSTALLATION













BSI Agent

KEYLINE CONSULTING SDN BHD


 Ground Floor, Wisma Pineapple, Lot 135, Jalan
1/89B, 3 1/2 Miles Off Jalan Sungai Besi, 57100
Kuala Lumpur, Malaysia

 info@keyline.com.my

 Joey See +6012 2065362
Michael Pan +6012 2023099



BSI Security Co., Ltd

 sales@bsi-hardware.com

 www.bsi-hardware.com