



Euro Mortise Lockset



Passage



Storeroom



Deadlock



Room



Room (narrow)



BSI **Euro Mortise Locks** consists the range of comprehensive functions that meet most security and locking application.

Standards

EN 12209:2003/AC2005 **3** M 5 1 0 F 2 B C 1 0

EN 1634-1:2014+A1:2018

EN 1363-1:2012

Dangerous substance: None

Standard Finishes

Satin Stainless Steel - SSS



Application

BSI Euro Mortise Lock series is favorable for metal, fire doors and wood doors. The innovative and a non handed mechanism is extremely easy to install and suitable for new and retrofit applications.

Door Thickness

Door thickness from 30mm to 50mm, provided with the standard screw pack. Extended screw pack is also available for extra length.

Fixing / Pitching

Euro Profile mortise lock suits
72mm / 78mm pitching Mortise Locksets.

Materials

Latch Bolt, Deadbolt, Faceplate are all made of Stainless Steel.



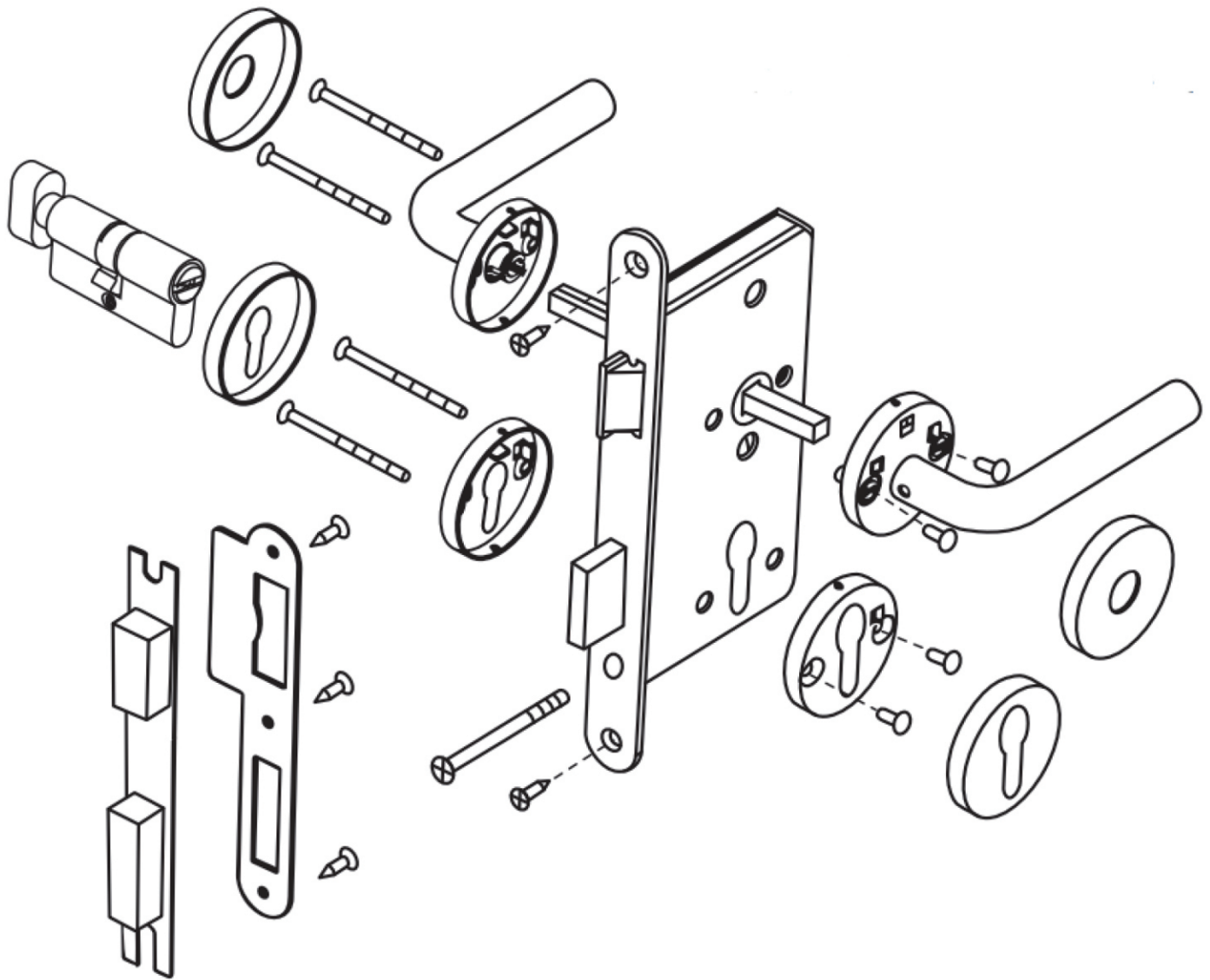
Strength & Durability

Euro profile mortise lock made from quality materials, 200,000 operation cycles has been tested.

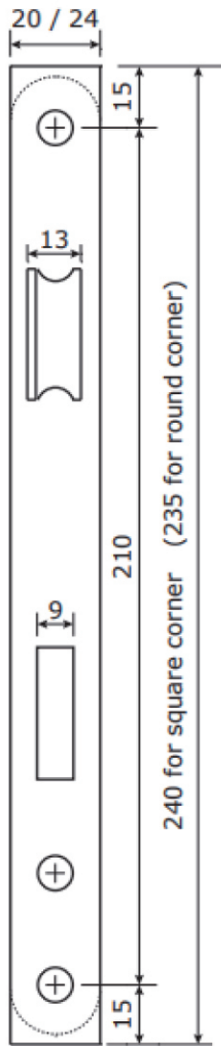
Keying

Standard Euro Profile Cylinders and key system is selectable.

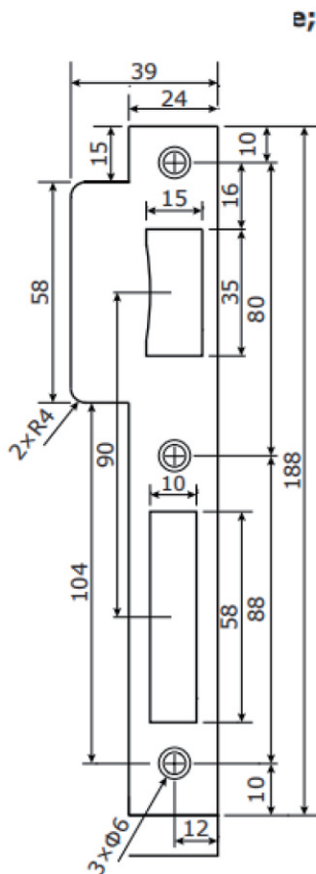
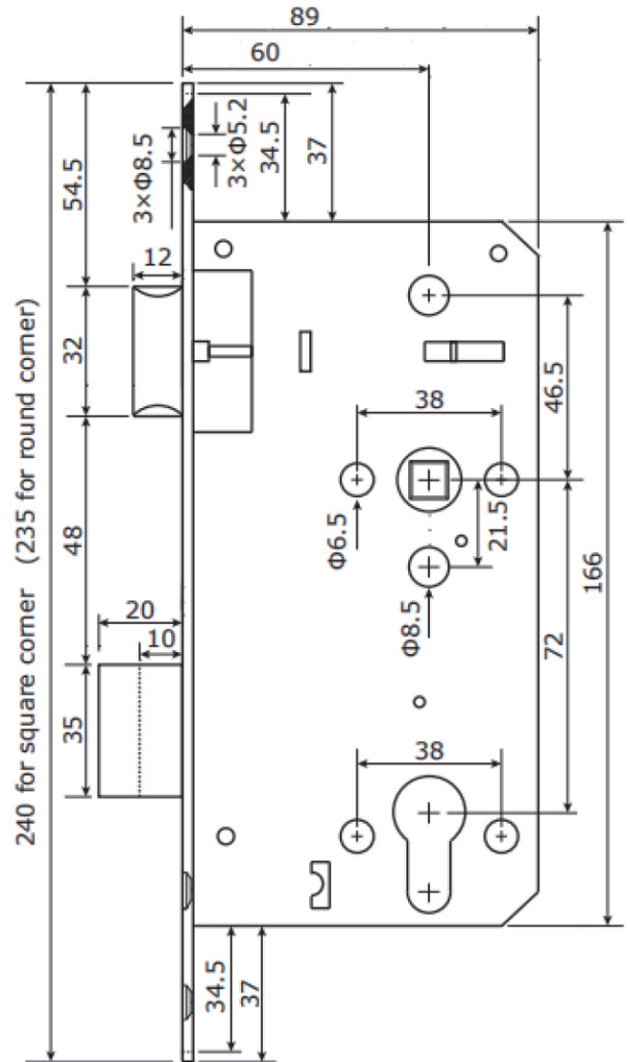
Installation of Mortise Lockset



Dimension Chart



(Unit: mm)



Strike plate thickness: 2.0mm

Lock Function



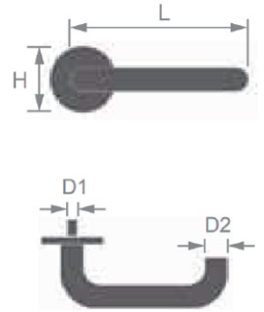
Model No.	Function	Diagram	Description	Strike & Mortise
MT6901	Passage or Closet Lock		<ul style="list-style-type: none"> Latch bolt retracted by lever from either side at all times. 	
MT6907	Storeroom or Closet Lock		<ul style="list-style-type: none"> Latch bolt retracted by key outside or by lever inside. Outside lever is always inoperative. Auxiliary latch deadlocks latch bolt when door is closed. 	
MT6916	Deadlock		<ul style="list-style-type: none"> Dead bolt operated by key from either side. 	
MT6921	Room Door Lock		<ul style="list-style-type: none"> Latch bolt retracted by lever from either side. Dead bolt projected or retracted by key outside or thumbturn inside. 	
MT6921-30	Room Door Lock (narrow)		<ul style="list-style-type: none"> Latch bolt retracted by lever from either side. Dead bolt projected or retracted by key outside or thumbturn inside. 	

Solid S.S. Lever Handle

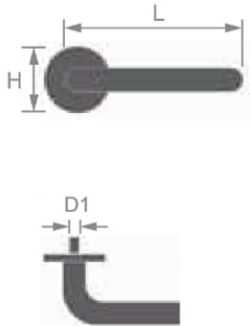
LH101



Size	mm	inch
L	140	5.511
H	53	2.08
D1	8	0.31
D2	19	0.75



LH101-L

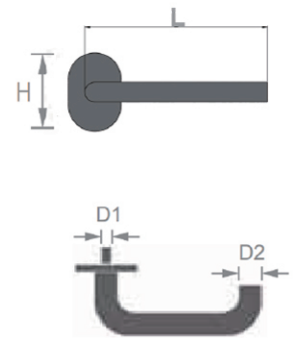


Size	mm	inch
L	135	5.31
H	53	2.088
D1	8	0.31
D2	19	0.75



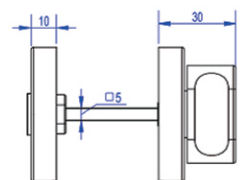
LH101-OVAL

Size	mm	inch
L	140	5.511
H	63	2.48
D1	8	0.31
D2	19	0.75



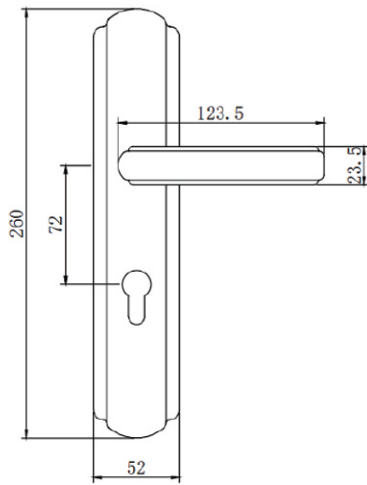
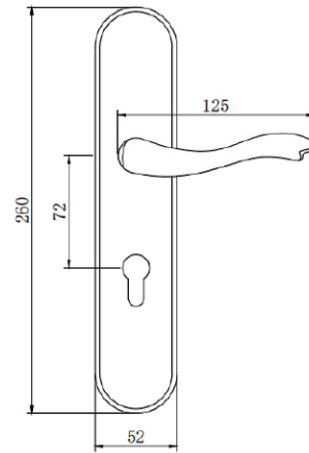
IND001SS

Size	Φ53mm × 10mm
Finish	Satin Stainless Steel
Material	Stainless Steel



EL7201

Size	52mm x 260mm
Finish	Satin Stainless Steel
Material	Stainless Steel

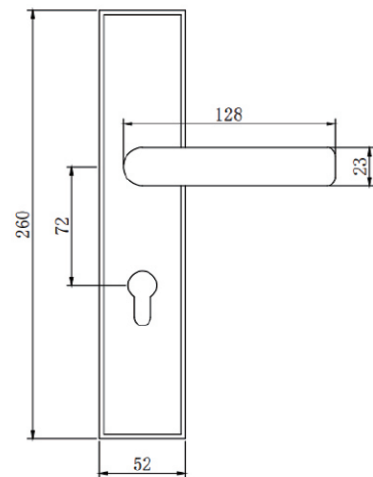


EL7202

Size	52mm x 260mm
Finish	Satin Stainless Steel
Material	Stainless Steel

EL7203

Size	52mm x 260mm
Finish	Satin Stainless Steel
Material	Stainless Steel



Solid S.S. Lever Handle Finish



630
Satin Stainless Steel



605
Bright Brass



629
Bright Satinless Steel



PVD
Physical Vapor
Deposition



630
Satin Stainless Steel

Cylinders

LK101



LK102



LK103



LK104



LK105



LK106



LK107



LK108



LK109



LK110



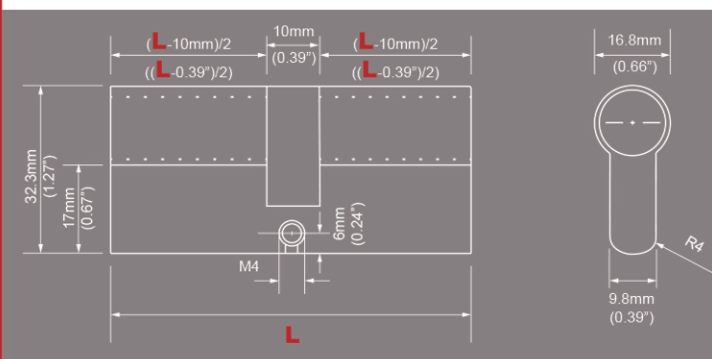
LK111



LK112



Dimension:



Available Length(L):

50mm(1.97"), 55mm(2.17"), 60mm(2.36"),
63mm(2.48"), 65mm(2.56"), 70mm(2.76"),
80mm(3.15"), 90mm(3.54"), 100mm(3.94")

Finish:

Satin and Lacquered, Polished and Lacquered
Nickel Plated, Chrome Plated, Gold Plated,
Antique Brass Plated, Antique Copper Plated,











BSI Agent

KEYLINE CONSULTING SDN BHD


 Ground Floor, Wisma Pineapple, Lot 135, Jalan
1/89B, 3 1/2 Miles Off Jalan Sungai Besi, 57100
Kuala Lumpur, Malaysia


 info@keyline.com.my

 Joey See +6012 2065362
Michael Pan +6012 2023099



BSI Security Co., Ltd

 sales@bsi-hardware.com

 www.bsi-hardware.com