



Electronic Lock

Fingerprint / Card / Pin Code / Key

R9C

Specification

- ✓ Can unlock by Pin Code, Proximity Card, and Mechanical Key.
- ✓ Having power saving digital touch panel device.
- ✓ Easy operation and setting.
- ✓ Have locked-in design.
- ✓ Compliance with U.S. ANSI/BHMA and UL.
- ✓ Slide design for key cover, hidden keyhole in the lock body.
- ✓ Have passage unlock device.
- ✓ 9V Battery Emergency supply available.
- ✓ Low power indicator light.
- ✓ Have anti-spy device, available enter random security code.

R9C-HOME



Model/Function

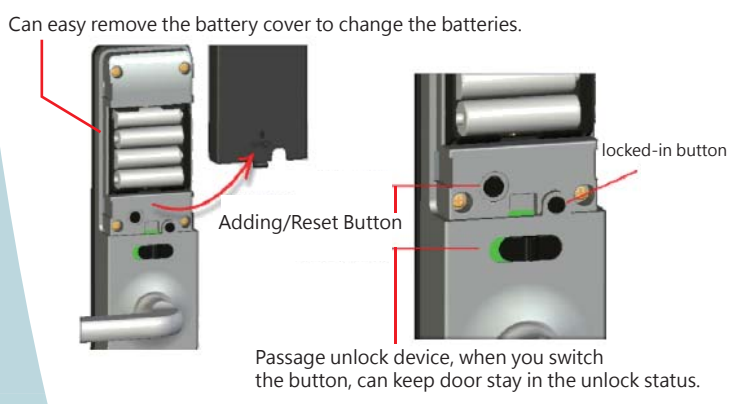
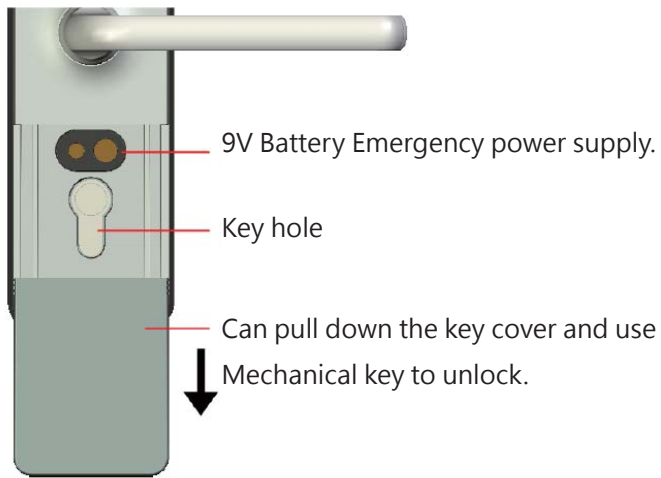
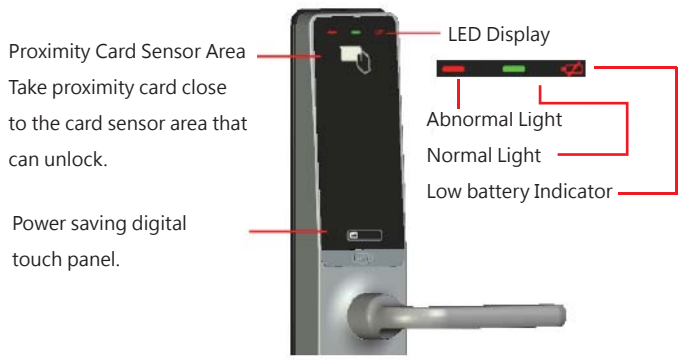
Model	Name	Feature
R9C-HOME	Home-use Electronic Lock	<ul style="list-style-type: none"> ● Standard electronic lock, easy operation and use. ● Allow access by Pin Code, Proximity card, and Mechanical Key. ● Can set up 1 Pin Code/50 Card users. ● Have anti-spy device, available enter random security code (Max can enter 12 random digits) ● Have 9V emergency power supply device. ● Available manual switch door became lock/unlock status.
R9C-NFC	NFC Electronic Lock	<ul style="list-style-type: none"> ● Combine NFC management technology. ● Allow access by Pin Code, Proximity card, and Mechanical Key. ● User manager can download APP on NFC Smart Phone to control/manage user & lock status. ● User can access by NFC Smart Phone with APP. ● Have anti-lock device. ● Can set up 1 Pin Code/128 Card or NFC Smart Phone users. ● Have 9V emergency power supply device.
R9C-Z	ZigBee Electronic Lock	<ul style="list-style-type: none"> ● Combine ZigBee management technology and ZigBee control station. ● Each control station can monitor and control up to 10 Zigbee locksets. ● Max. connection distance up to 200M. ● Allow access by Proximity Card and Mechanical Key. ● Max. users up to 50. ● Expandable: integrate & remote monitor others equipment by Zigbee I/O or RS-485 ● Available API/connectivity for existing management system. ● Have 9V emergency power supply device. ● 300 events record.
FR9C-PHS	PHS Fingerprint Electronic Lock	<ul style="list-style-type: none"> ● Combine PHS management technology and PHS control station. ● Must through wire/wireless connect to the control station to set/add/manage users. ● Allow access by Fingerprint, Pin Code, Proximity card, and Mechanical Key. ● Can set up 1 Pin Code/50 Fingerprint or Card users. (Each user can set up 1 card with 4 fingerprints) ● Have 9V emergency power supply device.

FR9C-PHS



R9C-Z

Structure

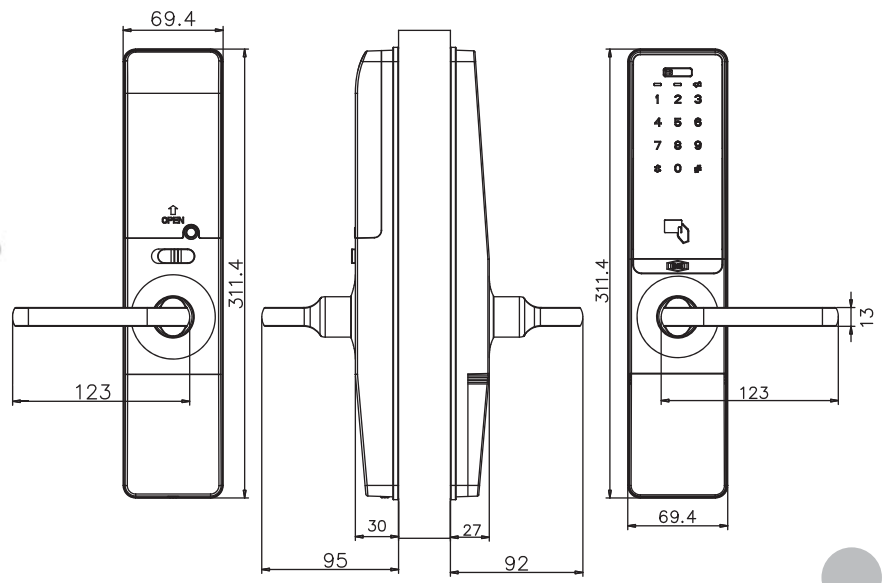


Specifications

Range of door thickness	Minimum 35 mm
Card Type	RFIC Card, 13.56MHz/ISO 14443A
Pin Code Setting	4 to 8 digits
Number of User	Max 50 users
Power Supply	DC 6V (AA Alkaline batteries) x 4



R9C-NFC



Unit: mm