

SAFETY



# ELECTRIC STRIKE

## DUAL MODE

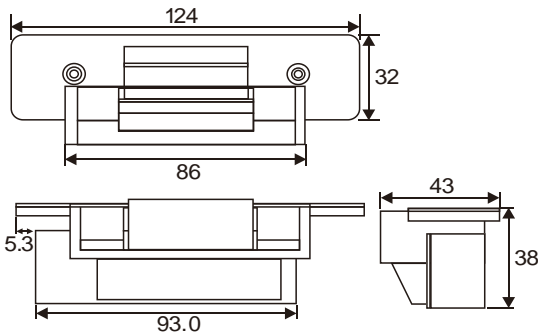
### DEL300SLD



### DEL125SD



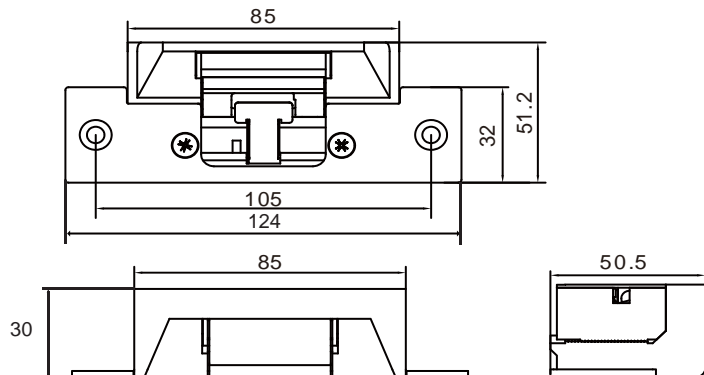
### DEL125SD DIMENSION



### General Feature

- ★ DIMENSIONS:  
DEL125SD: 124Lx43.5Wx32.5Dmm  
DEL300SLD: 124Lx47Wx32Dmm
- ★ Latch Deeper:  
DEL300SLD: 5/8" (15.8mm)  
DEL125SD: 1/2" (12.7mm)
- ★ Modes:  
DEL125SD: Fail Secure / Fail Safe  
DEL300SLD: Fail Secure / Fail Safe
- Current:  
★ DEL125SD: 280mA/12VDC, 140mA/240VDC  
DEL300SLD: 280mA/12VDC, 140mA/24VDC
- Face Plates:  
★ DEL125SD-Stainless Steel  
DEL300SLD-stainless Steel
- Sensor Options:  
SD - Door Sensor  
SLD - Lock sensor & Door sensor

### DEL300SLD DIMENSION



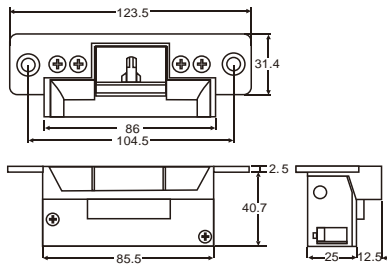
**DUAL MODE**



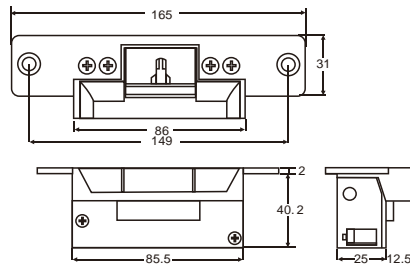
**General Feature**

- ★ DIMENSIONS:  
DEL124SLD: 123.5Lx31.4Wx40.7Dmm  
Keeper Depth: 12.7mm  
DEL124SLD-EX: 165Lx31Wx40.2Dmm  
Keep Depth: 12.7mm
- ★ FACE PLATE DIMENSIONS:  
DEL124SLD: 123.5Lx31.4Wx2.5Dmm  
DEL124SLD-EX: 165Lx31Wx2Tmm
- ★ Modes:  
DEL124SLD Aluminum face plate fail secure w/door, lock monitor 12VDC  
DEL124SLD-EX Stainless steel face plate fail secure w/door, lock monitor 12VDC
- ★ Current: 260mA/12VDC or 150mA/24VDC (specify on order)
- ★ Fail Safe/Fail Secure: Site convertible from one mode to the other (Fail secure default, unless specify on order)

**DEL124SLD DIMENSION**



**DEL124SLD-EX DIMENSION**



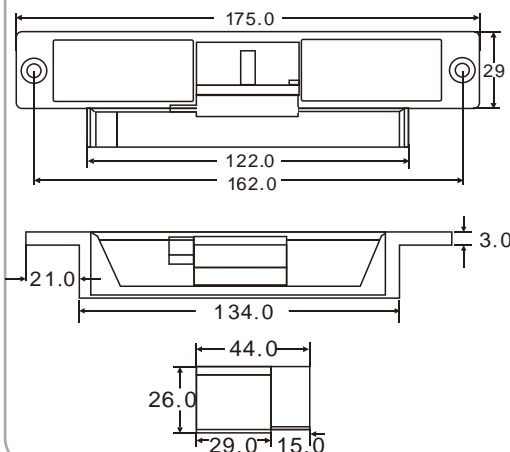
**DUAL MODE**



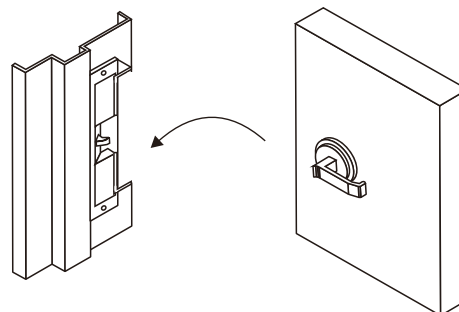
**General Feature**

- ★ DIMENSIONS:  
DEL304SLD: 175Lx29Wx26Dmm  
Keeper Depth: 10.8mm  
Face Plate: 175Lx29Wx3Tmm
- ★ Mode: Stainless steel face plate fail secure w/door, lock sensor
- ★ Current:  
280mA/12VDC or 140mA/24VDC (specify on order)  
170mA/12VAC or 85mA/24VAC (specify on order)
- ★ Door Latch: 10.8mm
- ★ Site convertible from one mode to the other (Fail secure default, unless specify on order)

**DEL304SLD DIMENSION**



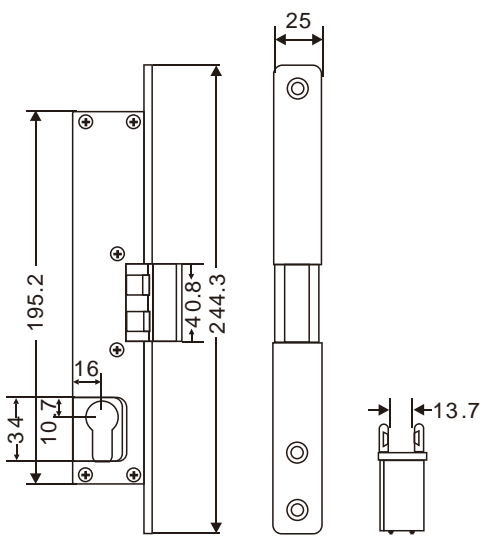
**INSTALLATION**





**DEL245SL(D)**

**DEL245SLD DIMENSION**

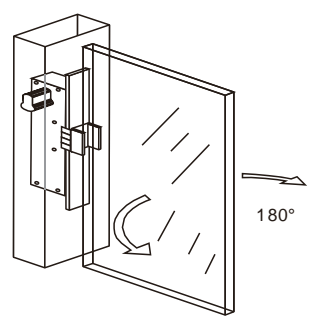


**General Feature**



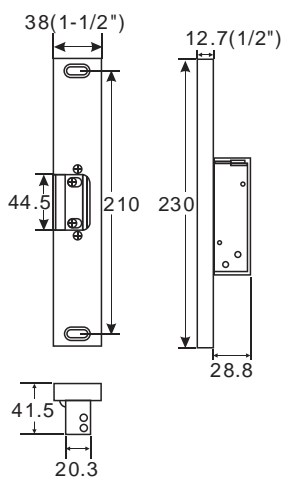
- ★ DIMENSIONS:  
DEL245SL: 245Lx25Wx41Dmm
- ★ Mode:  
DEL245SL - Double-swing glass door (dual mode) fail secure w/lock sensor  
DEL245SLD - Double-swing glass door(dual mode) w/lock & door sensor
- ★ Glass thickness: 8~12mm
- ★ Current: 300mA/12VDC / 150mA/24VDC
- ★ Fail Safe/Fail Secure:  
Site convertible from one mode to the other (Fail secure default, unless specify on order)
- ★ Option:  
Lock Cylinder for Emergency opening in Fail Secure Mode
- ★ Application:  
1. Application to frameless glass door only  
2. Bi-directional locking function

**INSTALLATION**



**DEL3310**

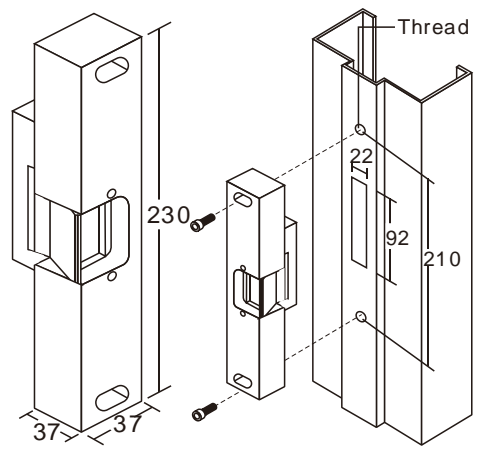
**DEL3310 DIMENSION**



**General Feature**

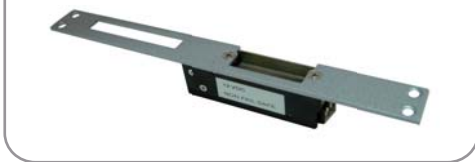
- ★ DIMENSIONS:  
DEL3310: 230Lx38Wx41.5Dmm  
Voltage: 12V or 24VDC/AC  
Mode: Aluminum face plate fail secure
- ★ Current:  
400mA/12VDC (F) or 200mA/12VDC  
200mA/12VDC (F) or 100mA/24VDC  
540mA/12VAC / 308mA/24VAC
- ★ Keeper depth: 15mm

**INSTALLATION**





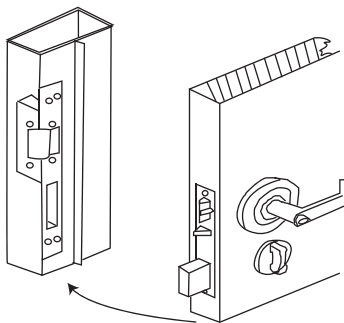
**DEL1125**



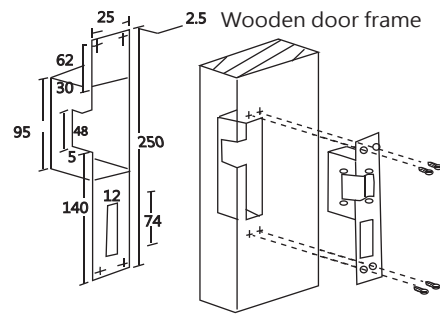
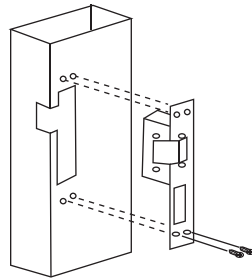
**General Feature**

- ★ Dimensions: 250L x 25W x 31D mm
- ★ DEL1125/DEL1125F Fail Secure/Fail Safe
- ★ Current: 400mA/12VDC, (F)200mA/12VDC  
200mA/24VDC, (F)100mA/24VDC
- ★ Face Plates: DEL1125(F) - Steel (Painted)
- ★ Keeper depth: 9.6mm
- ★ Applicable door latch: 9.5mm

**DEL1125 INSTALLATION**



Metal or Aluminium door frame



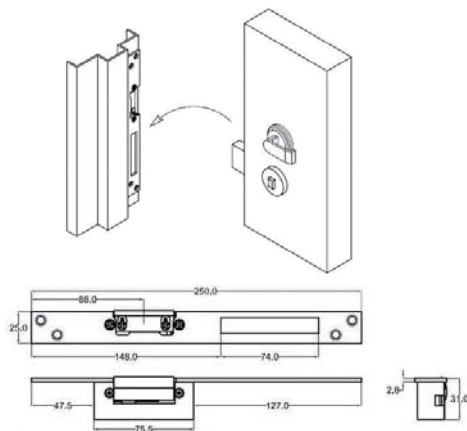
Dimensions needed to install strike  
Unit:mm

**DEL1125-(J.A.B)**



- J: Adjustable Jaw
- A: Day Locking Lever
- B: Impulse Switch

**DEL1125 INSTALLATION**



**General Feature**

- ★ DEL1125J - Steel face plate adjustable symmetrical strike fail secure 12VDC
- ★ DEL1125JA - Stainless steel face plate adjustable symmetrical strike, day locking lever, fail secure 12VDC
- ★ DEL1125JAB-24 - Steel face plate adjustable symmetrical strike, day locking lever, impulse switch, fail secure 24VDC
- ★ Fail safe type: DEL1125F/SDEL1125JF only
- ★ Dimensions: 250L x 25W x 31Hmm
- ★ Voltage: 12VDC(default) or 24VDC
- ★ Current draw:
  - fail secure - 600mA/12VDC
  - fail secure - 300mA/24VDC(specified on order)
  - fail safe - 280mA/12VDC
  - fail safe - 140mA/24VDC(specified on order)
- ★ Face plate:
  - steel/stainless steel - 250L x 25W x 2.8T mm
- ★ Built-in voltage spike suppressor
- ★ Keeper depth: 6mm
- ★ Applicable door latch: 9mm

**DEL1316**

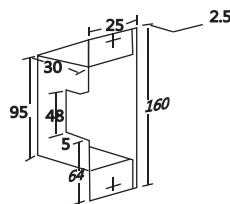
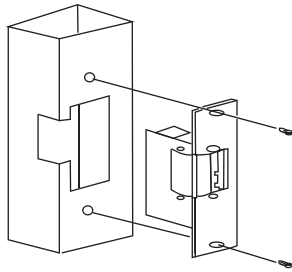


**General Feature**

- ★ Dimensions: 160L x 25W x 31D mm
- ★ DEL1316/DEL1316F Fail Secure/Fail Safe
- ★ Current: 400mA/12VDC, (F)200mA/12VDC  
200mA/24VDC, (F)100mA/24VDC
- ★ Face Plates:  
DEL1316(F) - Steel (Painted)  
SDEL1316(F)-Stainless steel
- ★ Keep Depth: 9.6mm

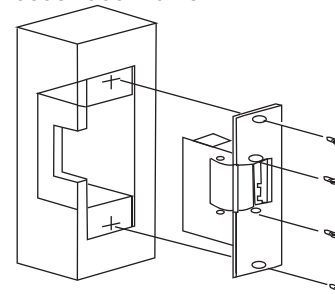
**DEL1316 INSTALLATION**

Metal or Aluminium door frame



Dimensions needed to install strike  
Unit:mm

Wooden door frame



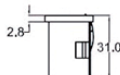
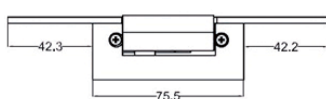
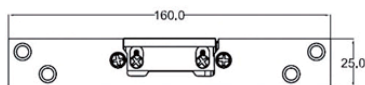
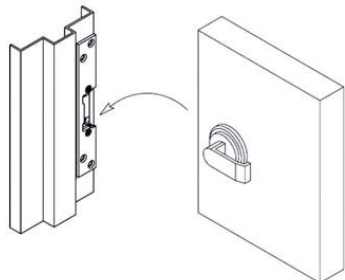
**DEL1316(J.A.B)**



**General Feature**

- ★ DEL1316J – Steel face plate, Adjustable symmetrical strike, fail secure, 12VDC
- ★ DEL1316JA – Stainless steel face plate, Adjustable symmetrical strike, w/day locking lever, fail secure, 12VDC
- ★ DEL1316JAB-24 – Steel face plate, Adjustable symmetrical strike, w/day locking lever and impulse switch, fail secure, 24VDC
- ★ Fail safe type: DEL1316JF/SDEL1316JF only.
- ★ Dimensions:  
DEL1316J/SDEL1316J - 160L x 25W x 31.4H mm
- ★ Voltage: 12VDC(default) or 24VDC
- ★ Current draw:  
600mA/12VDC, 300mA/24VDC (fail secure)  
280mA/12VDC, 140mA/24VDC (fail safe)
- ★ Face plate:  
aluminum - 160L x 25W x 2.8T mm  
stainless steel - 160L x 25W x 2.8T mm
- ★ Keeper depth: 6mm
- ★ Applicable door latch: 9 mm

**INSTALLATION**

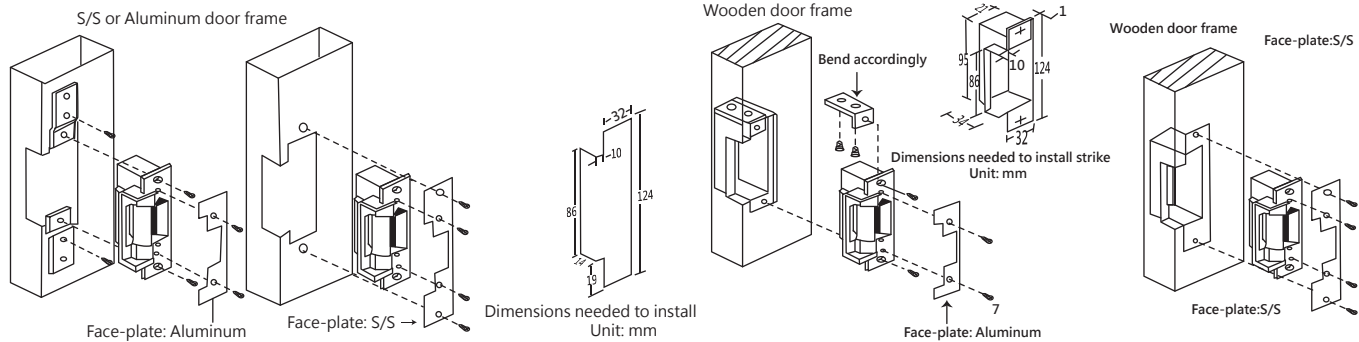




**General Feature**

- ★ Dimensions: 125L x 32W x 38D mm  
165Lx32Wx38Dmm(SDEL1335)
- ★ DEL1335/DEL1335F Fail Secure/Fail Safe
- ★ Current: 400mA/12VDC, (F)200mA/12VDC  
200mA/24VDC, (F)100mA/24VDC
- ★ Face Plates:  
DEL1335(F) - Aluminium  
SDEL1335 - Stainless steel (165mmL)
- ★ Keep Depth: 16mm

**DEL1335 INSTALLATION**



**General Feature**

- ★ Dimensions: 124L x 31.6W x 33D mm
- ★ Current: 280mA / 12VDC , 140mA / 24VDC
- ★ Adjust model : just turn the adjusting screw to adjust the fail secure to fail safe.

